



DF-610/600

PARTS LIST

Published in Jun.'02
843B8121
Revision 1

NOTE

1. Indicate parts number and machine model when placing an order.

eg. Parts Number	Parts Name	Machine Model	Cycle	Quantity
3B804010	TOP COVER	DF-610	50Hz	1

2. Service calls and freight will be charged separately.

3. Symbols in the "Parts Number" column.

- Parts with "•" are component parts or sub-assemblies of the assembly appearing immediately above them.

eg. Parts Number	Parts Name	Parts Number	Parts Name
3CA01012	PCB ASS'Y	•3CA27031	IC, MAIN PCB(C P U)
		•3CA28011	MAIN PCB

- Parts with "●" indicates the service parts.

4. See the last page of this parts list for the classification of the screws in the illustrations.

5. Items indicated by shaded areas () are supply parts and should be ordered through your Regional Office.

Parts List

DF-610/600

———— CONTENTS ————

<i>FIG.1</i>	<i>EXTERIOR COVERS</i>	2
<i>FIG.2</i>	<i>FRAMES</i>	4
<i>FIG.3</i>	<i>TOP COVER SECTION(DF-610 Only)</i>	6
<i>FIG.3</i>	<i>TOP COVER SECTION(DF-600 Only)</i>	8
<i>FIG.4</i>	<i>PAPER FEED-IN SECTION</i>	10
<i>FIG.5</i>	<i>EJECT SECTION</i>	12
<i>FIG.6</i>	<i>MIDDLE TRAY SECTION I</i>	14
<i>FIG.7</i>	<i>MIDDLE TRAY SECTION II</i>	16
<i>FIG.8</i>	<i>MIDDLE TRAY SECTION III</i>	18
<i>FIG.9</i>	<i>MIDDLE TRAY SECTION IV(DF-610 Only)</i>	20
<i>FIG.9</i>	<i>MIDDLE TRAY SECTION IV(DF-600 Only)</i>	22
<i>FIG.10</i>	<i>MAIN TRAY SECTION</i>	24
<i>FIG.11</i>	<i>DRIVING SECTION</i>	26
<i>FIG.12</i>	<i>ELECTRICAL COMPONENTS</i>	28
<i>FIG.13</i>	<i>ACCESSOREIS</i>	30
	• INDEX	32

FIG. 1 EXTERIOR COVERS

3B8-1/3B9-1

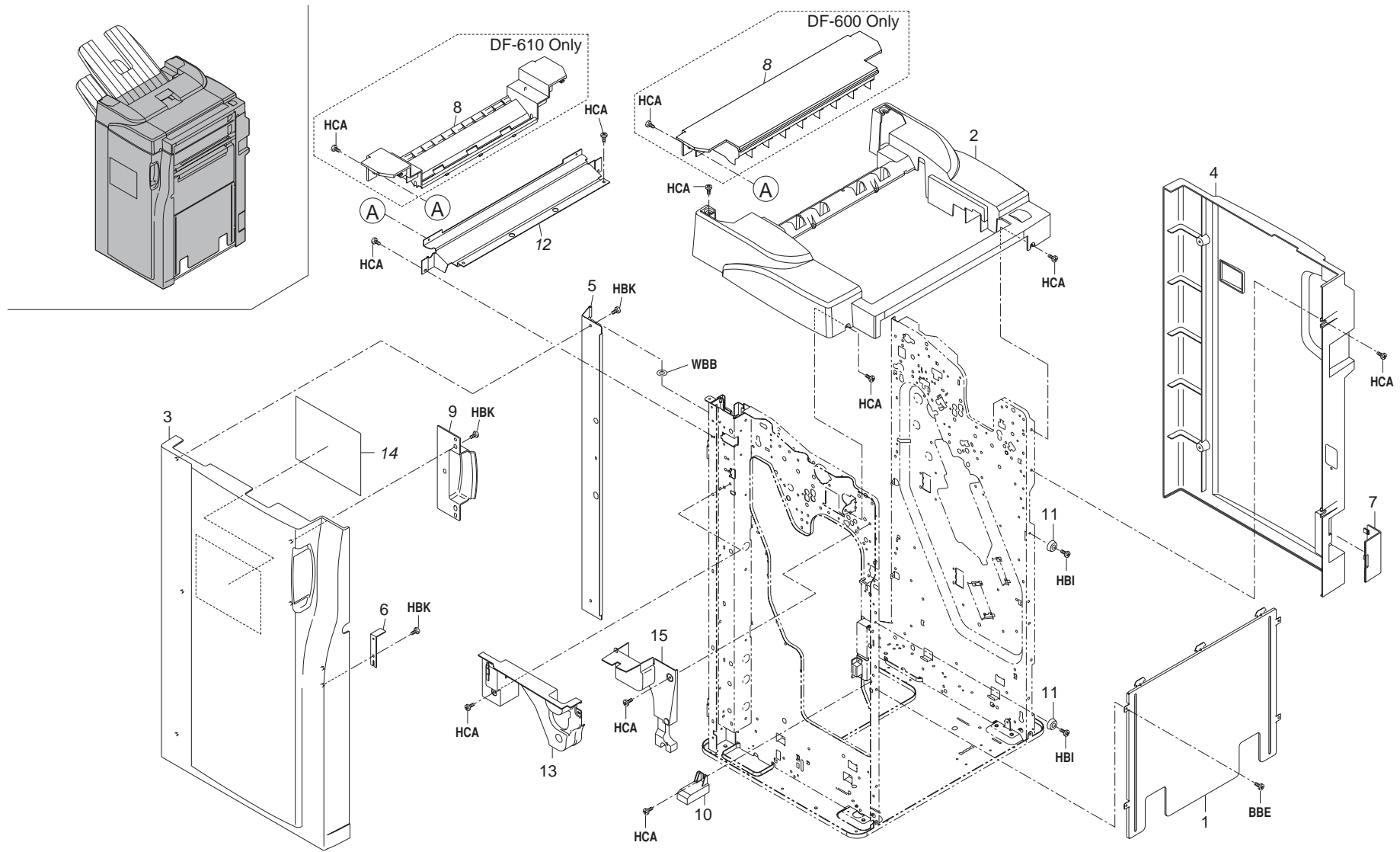


FIG. 1 EXTERIOR COVERS

3B8-1/3B9-1

SP	Ref. No.	Part. No.	Description	Quantity		
				120V	230V	240V
	1	3B802050	REINFORCEMENT,FEED IN LOW	1	1	1
●	2	3B804010	TOP COVER	1	1	1
●	3	3B804020	FRONT COVER	1	1	1
●	4	3B804030	REAR COVER	1	1	1
	5	3B804040	FRONT HINGE,COVER	1	1	1
	6	3B804080	BASE,MAGNET	1	1	1
●	7	3B804090	REAR LID,COVER	1	1	1
●	8	3B804160	TOP LID,COVER(DF-610 Only)	1	1	1
●	8	3B904010	TOP LID,COVER(DF-600 Only)	1	1	1
●	9	3B804190	LID,HANDLE	1	1	1
	10	3AK04160	GUIDE,FRONT COVER	1	1	1
	11	75402210	CUSHION STAY	2	2	2
	12	3B804300	TOP GUIDE,LID COVER	1	1	1
	13	3B804240	LEFT INNER COVER	1	1	1
●	14	3B805050	LABEL,JAM REMOVAL(DF-610 Only)	1	1	1
●	14	3B905040	LABEL,JAM REMOVAL(DF-600 Only)	1	1	1
	15	3B804250	RIGHT INNER COVER	1	1	1

• Parts with "●" indicates the Service parts.

FIG. 2 FRAMES

3B8-1/3B9-1

SP	Ref. No.	Part. No.	Description	Quantity		
				120V	230V	240V
	1	3B802011	FRONT FRAME	1	1	1
	2	3B802021	REAR FRAME	1	1	1
	3	3B802030	BASE	1	1	1
	4	3B802070	STAY,PARTITION	2	2	2
	5	3B802080	SUPPORT PLATE,PULLEY FINISHER	2	2	2
	6	3B802090	SHAFT,PULLEY FINISHER	2	2	2
	7	3B802100	PARTITION,FINISHER	1	1	1
	8	3B802110	LOWER LEFT PARTITION	1	1	1
	9	3B802121	STAY,RAIL	1	1	1
	10	3B802130	GUIDE,PIN JOINT	1	1	1
●	11	3B802140	RAIL,JUNCTION PLATE	1	1	1
	12	3B802150	MOUNT,DRAWER	1	1	1
	13	3B802190	LOWER REAR SUPPORT PLATE,RACK	1	1	1
	14	3B802200	LOWER LEFT SHAFT	1	1	1
	15	3B802210	SHAFT,JOINT	1	1	1
●	16	3B802220	HOOK,JUNCTION PLATE	2	2	2
	17	3B802230	LEVER,JUNCTION PLATE	1	1	1
	18	3B802500	FRONT REINFORCEMENT	1	1	1
	19	3B802510	REAR REINFORCEMENT	1	1	1
	20	3B802520	FRONT RACK,LIFT TRAY	1	1	1
	21	3B802530	REAR RACK,LIFT TRAY	1	1	1
	22	3B802540	FRONT SUPPORT PLATE,RACK	1	1	1
	23	3B802550	REAR SUPPORT PLATE,RACK	1	1	1
	24	3B802560	RAIL,TRAY	2	2	2
	25	3B802590	RIGHT FRONT PARTITION,DRIVE	1	1	1
	26	3B802600	RIGHT REAR PARTITION,DRIVE	1	1	1
	27	3B802610	LEFT FRONT PARTITION,DRIVE	1	1	1
	28	3B802620	LEFT REAR PARTITION,DRIVE	1	1	1
	29	3B804060	FRONT FULCRUM PLATE,COVER	2	2	2
	30	3B804210	TOP LID RIGHT,COVER	1	1	1
	31	3B816620	STAY,DAMPER	1	1	1
	32	3B816790	REINFORCEMENT,STOPPER	1	1	1
●	33	3B827040	SENSOR 12,SEPARATION	2	2	2
●	34	3B827050	SENSOR 22,SEPARATION	2	2	2
	35	3B827550	JUNCTION WIRING,SADDLE UNIT	1	1	1
	36	29802230	PIN,CONNECTOR	2	2	2
	37	3AK02080	PULLEY,FINISHER	2	2	2
	38	3AK07090	MOUNT,MIDDLE PI	5	5	5
	39	3AK20150	DETECTION PLATE,MAIN TRAY SENSOR MIDDLE	2	2	2
	40	3AK20160	MOUNT,MAIN TRAY SENSOR MIDDLE	2	2	2

SP	Ref. No.	Part. No.	Description	Quantity		
				120V	230V	240V
	41	3AK20170	FILM,MAIN TRAY SENSOR	2	2	2
	42	3AK20250	SPRING,MAIN TRAY SENSOR MIDDLE	2	2	2
●	43	35327400	SWITCH,FEED	7	7	7
	44	36802110	CASTER	2	2	2
	45	3B802250	SPRING,UNIT RELEASE	1	1	1
	46	74327180	PIN,CONNECTOR	2	2	2
	47	77706670	PIN,FEED FULCRUM	3	3	3
	48	M2104250	EDGING,EDS-17L(KITAGAWA)	1	1	1
	49	3B802240	RETAINER,STAY	1	1	1
	50	3B804220	COVER,SAFETY SWITCH	1	1	1
	51	3B804230	COVER,CASTER	1	1	1
	52	3B804270	HANDLE,RAIL	1	1	1
	53	3B804280	REINFORCEMENT,RAIL HANDLE	1	1	1
●	54	33973300	STOPPER 7,CARTRIDGE	2	2	2
	55	3B807940	GUIDE,MIDDLE TRAY INSERTION	1	1	1
	56	3B816950	MOUNT,TORQUE LIMITER	1	1	1
	57	3B816970	TOP TORQUE LIMITER,RELEASE	1	1	1
●	58	67322230	BUSHING 8	2	2	2
●	59	3B804310	ADJUSTING PLATE,HINGE	1	1	1
	60	63213320	CUSHION,ORIGINAL COLLECTION	2	2	2

• Parts with "●" indicates the Service parts.

FIG. 3 TOP COVER SECTION(DF-610 Only)

3B8-1/3B9-1

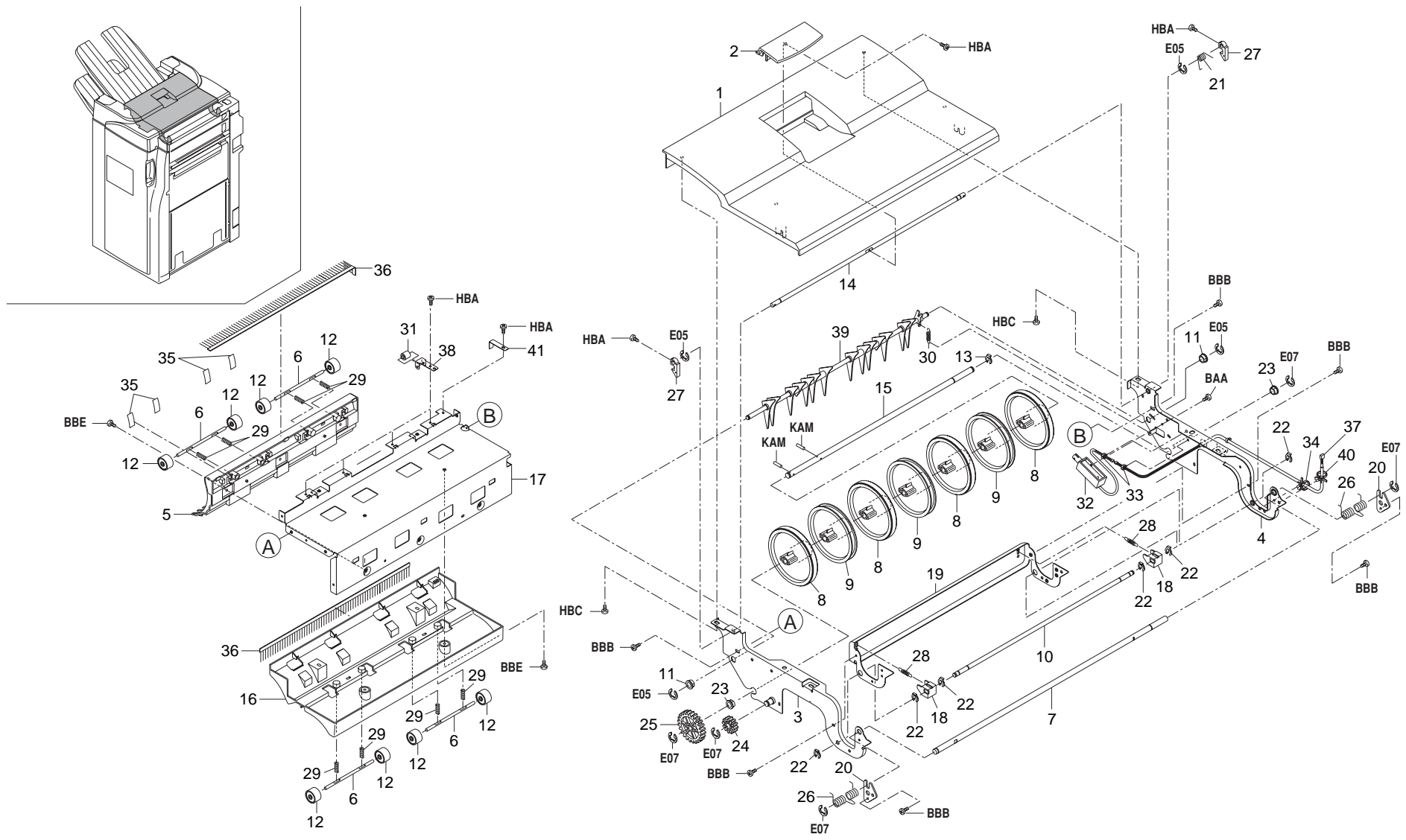


FIG. 3 TOP COVER SECTION(DF-610 Only)

3B8-1/3B9-1

SP	Ref. No.	Part. No.	Description	Quantity		
				120V	230V	240V
●	1	3B804120	TOP COVER,RELEASE	1	1	1
●	2	3B804130	TOP HANDLE,COVER RELEASE	1	1	1
	3	3B816010	FRONT FRAME,SUB CONVEYING	1	1	1
	4	3B816020	REAR FRAME,SUB CONVEYING	1	1	1
	5	3B816030	RIGHT GUIDE,SUB CONVEYING	1	1	1
	6	3B816040	SHAFT,CONVEYING PULLEY	4	4	4
	7	3B816060	TOP SHAFT,COVER	1	1	1
	8	3B816120	GUIDE A,DRUM	4	4	4
	9	3B816130	GUIDE B,DRUM	3	3	3
	10	3B816380	SHAFT,RELEASE FRAME	1	1	1
●	11	73210450	BUSH, 6	2	2	2
●	12	3B816560	COLLAR TOP,SUB CONVEYING	8	8	8
●	13	33973300	STOPPER 7,CARTRIDGE	1	1	1
	14	3B816600	SHAFT,RELEASE HOOK	1	1	1
	15	3B816680	SHAFT,CONVEYING DRUM	1	1	1
	16	3B816700	UPPER GUIDE,SUB CONVEYING	1	1	1
	17	3B816710	MOUNT,CONVEYING GUIDE	1	1	1
	18	3B816730	HOLDER,FEED IN GUIDE	2	2	2
	19	3B816770	STAY,RELEASE FRAME	1	1	1
	20	3B816940	RETAINER,SHAFT	2	2	2
	21	3B816960	SPRING,HOOK RELEASE	1	1	1
●	22	2A806250	RING STOPPER	6	6	6
●	23	67322230	BUSHING 8	2	2	2
●	24	61522040	DRIVE GEAR,FIXING SECTION	1	1	1
●	25	36722170	GEAR 53,CASSETTE DRIVE	1	1	1
	26	3CN02230	SPRING,SWITCH BACK	2	2	2
	27	33906670	RIGHT HOOK,FEED RELEASE	2	2	2
	28	34916501	SPRING,BYPASS	2	2	2
	29	68814720	SPRING B,DOCTOR BLADE	8	8	8
	30	63706270	SPRING,REGISTRATION	1	1	1
●	31	2A820100	PULLEY EXIT	4	4	4
●	32	3AK27040	SOLENOID,PADDLE	1	1	1
	33	M2105740	MINIATURE CLAMP,UAMS-05S-2	2	2	2
	34	M2107120	BINDING BAND SG-130	1	1	1
	35	3B816910	FILM,SUB EJECT	4	4	4
●	36	3B816920	STATIC ELIMINATOR,SUB EJECT	2	2	2
	37	3B827600	JUNCTION WIRING,FEED SHIFT SOLENOID	1	1	1
	38	3B816570	PLATE SPRING,SUB EJECT	4	4	4
	39	3B816520	GUIDE,FEED SHIFT SUB EJECT	1	1	1
	40	M0207000	BINDING BAND,KB-100-1	1	1	1

SP	Ref. No.	Part. No.	Description	Quantity		
				120V	230V	240V
	41	3B816930	PLATE SPRING,EJECT GROUND	1	1	1

• Parts with "●" indicates the Service parts.

FIG. 3 TOP COVER SECTION(DF-600 Only)

3B8-1/3B9-1

SP	Ref. No.	Part. No.	Description	Quantity		
				120V	230V	240V
●	1	3B804120	TOP COVER,RELEASE	1	1	1
●	2	3B804130	TOP HANDLE,COVER RELEASE	1	1	1
	3	3B816010	FRONT FRAME,SUB CONVEYING	1	1	1
	4	3B816020	REAR FRAME,SUB CONVEYING	1	1	1
	5	3B816030	RIGHT GUIDE,SUB CONVEYING	1	1	1
	6	34916501	SPRING,BYPASS	2	2	2
	7	3B816060	TOP SHAFT,COVER	1	1	1
	8	3B816120	GUIDE A,DRUM	2	2	2
	9	3B816130	GUIDE B,DRUM	5	5	5
	10	3B816380	SHAFT,RELEASE FRAME	1	1	1
	11	3CN02230	SPRING,SWITCH BACK	2	2	2
	12	33906670	RIGHT HOOK,FEED RELEASE	2	2	2
●	13	33973300	STOPPER 7,CARTRIDGE	1	1	1
	14	3B816600	SHAFT,RELEASE HOOK	1	1	1
	15	3B816680	SHAFT,CONVEYING DRUM	1	1	1
	16	3B816700	UPPER GUIDE,SUB CONVEYING	1	1	1
	17	3B816710	MOUNT,CONVEYING GUIDE	1	1	1
	18	3B816730	HOLDER,FEED IN GUIDE	2	2	2
	19	3B816770	STAY,RELEASE FRAME	1	1	1
	20	3B816940	RETAINER,SHAFT	2	2	2
	21	3B816960	SPRING,HOOK RELEASE	1	1	1
●	22	2A806250	RING STOPPER	6	6	6
●	23	67322230	BUSHING 8	2	2	2
●	24	61522040	DRIVE GEAR,FIXING SECTION	1	1	1
●	25	36722170	GEAR 53,CASSETTE DRIVE	1	1	1

• Parts with "●" indicates the Service parts.

FIG. 4 PAPER FEED-IN SECTION

3B8-1/3B9-1

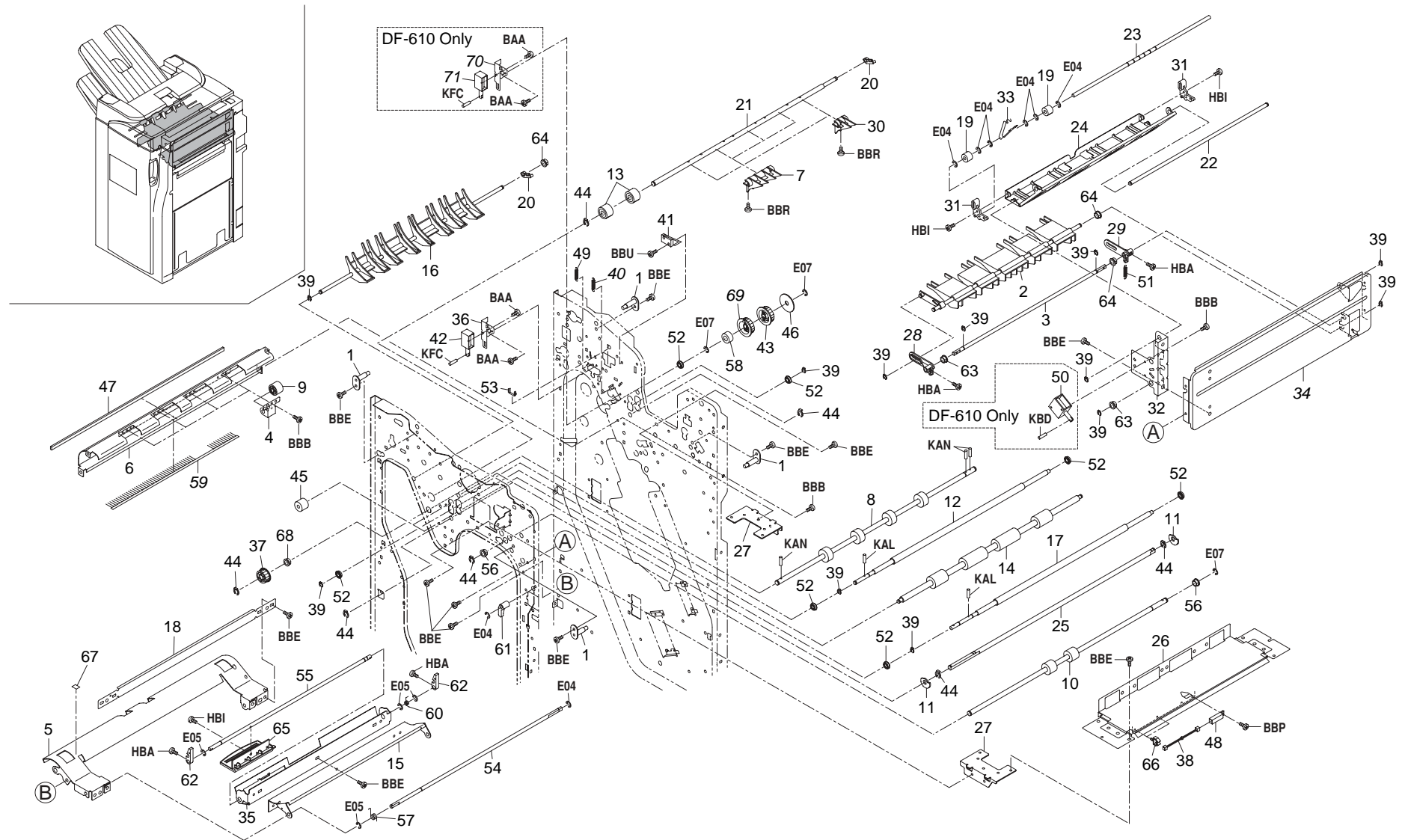


FIG. 4 PAPER FEED-IN SECTION

3B8-1/3B9-1

SP	Ref. No.	Part. No.	Description	Quantity		
				120V	230V	240V
	1	3B802170	SUPPORT PLATE,HOOK	4	4	4
	2	3B816050	GUIDE,FEED IN	1	1	1
	3	3B816070	SHAFT,FEED IN RAIL	1	1	1
	4	3B816090	PLATE SPRING B,CONVEYING PULLEY	4	4	4
	5	3B816100	LOWER GUIDE 750,FEED IN	1	1	1
	6	3B816110	LOWER RIGHT GUIDE,SUB CONVEYING	1	1	1
	7	3B816140	CLAW,FEED SHIFT MAIN	3	3	3
●	8	3B816150	ROLLER,MIDDLE TRAY FEED IN	1	1	1
●	9	3B816170	ROLLER,CONVEYING	4	4	4
●	10	3B816180	LOWER ROLLER,FEED IN	1	1	1
	11	3B816190	CAM,DECURLER	4	4	4
	12	3B816230	UPPER ROLLER,PRESS	1	1	1
●	13	3B816210	ROLLER,SUB CONVEYING	1	1	1
●	14	3B816220	LOWER ROLLER,PRESS	2	2	2
	15	3B816820	LOWER GUIDE,FEED IN RELEASE	1	1	1
	16	3B816240	LEFT CLAW,FEED SHIFT	1	1	1
	17	3B816250	ROLLER,PRESS DRIVE	1	1	1
	18	3B816830	LOWER REINFORCEMENT,FEED IN RELEASE	1	1	1
●	19	3BC08220	PULLEY B,REGISTRATION	2	2	2
	20	3B816280	LEVER,FEED SHIFT	2	2	2
	21	3B816290	SHAFT,FEED SHIFT MAIN	1	1	1
	22	3B816300	SHAFT,FEED IN FULCRUM	1	1	1
	23	3B816320	SHAFT,RELEASE GUIDE	1	1	1
	24	3B816390	UPPER GUIDE 850,FEED IN	1	1	1
	25	3B816420	SHAFT,DECURLER PRESSURE	2	2	2
	26	3B816440	GUIDE,CONVEYING	1	1	1
	27	3B816640	MOUNT BASE,PUNCH UNIT	2	2	2
	28	3B816660	FRONT RAIL,FEED IN	1	1	1
	29	3B816670	REAR RAIL,FEED IN	1	1	1
	30	3B816690	CLAW B,FEED SHIFT MAIN	2	2	2
	31	3B816720	REINFORCEMENT,FEED IN GUIDE	2	2	2
	32	3B816740	FRONT FULCRUM PLATE,FEED IN	1	1	1
	33	3B816760	COUPLER,FEED IN GUIDE	1	1	1
	34	3B816781	MOUNT,FEED IN UNIT	1	1	1
	35	3B816840	LOWER REINFORCEMENT,HOOK FEED IN RELEASE	1	1	1
	36	3B816810	MOUNT,SOLENOID	1	1	1
●	37	3B822110	PULLEY 25,TRAY FEED IN	1	1	1
	38	3B827580	JUNCTION WIRING,CONVEYING SENSOR	1	1	1
●	39	2A806250	RING STOPPER	12	12	12
	40	3B816990	SPRING,FEED SHIFT MAIN	1	1	1

SP	Ref. No.	Part. No.	Description	Quantity		
				120V	230V	240V
●	41	3AK27030	SWITCH,SET	1	1	1
●	42	3AK27040	SOLENOID,PADDLE	1	1	1
●	43	3BD22040	PULLEY 31,CONVEYING ROLLER	1	1	1
●	44	34806480	STOPPER 6	7	7	7
●	45	36706900	TORQUE LIMITER,PAPER FEED	2	2	2
	46	3B822260	FLANGE 36	1	1	1
	47	3B807890	VIBRATION INSULATOR,PAPER HOLDER	1	1	1
●	48	63227020	SWITCH,FEED	1	1	1
	49	63526080	SPRING,SAFETY SWITCH LEVER(DF-610 Only)	1	1	1
	49	71907120	SPRING,DUPLEX STOPPER(DF-600 Only)	1	1	1
●	50	3B827070	SOLENOID,FEED IN GUIDE(DF-610 Only)	1	1	1
	51	71907120	SPRING,DUPLEX STOPPER	1	1	1
●	52	74808080	BEARING,686ZZNR	7	7	7
	53	M2104200	EDGING EDS-1	1	1	1
	54	3B816850	LOWER SHAFT,FEED IN RELEASE	1	1	1
	55	3B816860	LOWER SHAFT,HOOK FEED IN RELEASE	1	1	1
●	56	67322230	BUSHING 8	2	2	2
	57	3B816870	LOWER SPRING,FEED IN RELEASE	1	1	1
●	58	3B822270	ONE-WAY CLUTCH 8	1	1	1
●	59	3B808150	STATIC ELIMINATOR,MIDDLE TRAY FEED IN	1	1	1
	60	3B816880	LOWER SPRING,HOOK FEED IN RELEASE	1	1	1
	61	3B816890	LOWER PROJECTION,FEED IN RELEASE	1	1	1
	62	33906670	RIGHT HOOK,FEED RELEASE	2	2	2
●	63	73210450	BUSH, 6	2	2	2
●	64	76202270	LEFT BUSHING FULCRUM SHAFT	3	3	3
	65	3B804260	LOWER HANDLE,FEED IN RELEASE	1	1	1
	66	M2105740	MINIATURE CLAMP,UAMS-05S-2	2	2	2
	67	3B816980	SPONGE,FEED IN	1	1	1
	68	33906610	BEARING,FEED	1	1	1
●	69	3B822220	PULLEY 31,TRAY FEED IN	1	1	1
	70	3B816810	MOUNT,SOLENOID(DF-610 Only)	1	1	1
●	71	3B827090	SOLENOID A,FEED SHIFT(DF-610 Only)	1	1	1

• Parts with "●" indicates the Service parts.

FIG. 5 EJECT SECTION

3B8-1/3B9-1

SP	Ref. No.	Part. No.	Description	Quantity		
				120V	230V	240V
	1	3B802060	STAY,MAIN EJECT	1	1	1
	2	3B807560	GUIDE,PAPER HOLDER	1	1	1
	3	3B807570	SUPPORT PLATE,PAPER HOLDER	1	1	1
	4	3B807580	LEVER,PAPER HOLDER	1	1	1
	5	3B807630	SPRING,PAPER HOLDER	1	1	1
●	6	3B807640	PAD,CURSOR	1	1	1
	7	3B816080	LOWER LEFT GUIDE,SUB CONVEYING	1	1	1
	8	3B816340	FRONT FULCRUM PLATE,SUB CONVEYING GUIDE	1	1	1
	9	3B816350	REAR FULCRUM PLATE,SUB CONVEYING GUIDE	1	1	1
●	10	3B816510	ROLLER,SUB EJECT	1	1	1
	11	3B816530	LEFT GUIDE,SUB EJECT	1	1	1
	12	3B816550	MOUNT,SUB EJECT GUIDE	1	1	1
	13	3B821010	STAY,EJECT	1	1	1
	14	3B821021	UPPER GUIDE,EJECT	1	1	1
	15	3B821030	LOWER GUIDE,EJECT	1	1	1
●	16	3B821040	ROLLER,EJECT	1	1	1
	17	3B821050	LEVER,EJECT	1	1	1
	18	3B821060	UPPER FULCRUM PIN,EJECT GUIDE	2	2	2
	19	3B821080	SHAFT,EJECT PULLEY	4	4	4
	20	3B821090	MOUNT,EJECT SOLENOID	1	1	1
	21	3B821100	LEVER,PAPER HOLDER	1	1	1
	22	3B821110	SPRING,HOLDER MAIN EJECT	1	1	1
	23	3B821120	ARM,HOLDER MAIN EJECT	1	1	1
	24	3B821130	MOUNT,EJECT HOLDER SOLENOID	1	1	1
	25	3B821140	MOUNT,PAPER EJECT HOLDER PI	1	1	1
	26	3B821150	FILM,GUIDE CONVEYING	1	1	1
	27	3B827560	JUNCTION WIRING,MAIN EJECT	1	1	1
	28	3B827610	JUNCTION WIRING,MIDDLE TRAY CONVEYING SE	1	1	1
●	29	2A806030	BUSH FEED	1	1	1
●	30	2A806250	RING STOPPER	4	4	4
	31	3AK06120	SPRING,MAIN EJECT	2	2	2
●	32	3AK08480	CUSHION,FEED SHIFT GUIDE	3	3	3
	33	3C106040	LEVER,HOLDER MAIN EJECT	1	1	1
	34	3C106050	SHAFT,HOLDER MAIN EJECT	1	1	1
	35	3C106070	SPRING,HOLDER MAIN EJECT RESET	1	1	1
	36	3C108290	SPRING,TURN SOLENOID	1	1	1
●	37	3C127010	SOLENOID,EJECT	1	1	1
●	38	34806480	STOPPER 6	2	2	2
●	39	35327400	SWITCH,FEED	1	1	1
●	40	60112341	GEAR 17 OPTICAL CLUTCH	1	1	1

SP	Ref. No.	Part. No.	Description	Quantity		
				120V	230V	240V
●	41	62221110	PULLEY,FEEDBACK	2	2	2
●	42	63213261	PAD, EJECT ORIGINAL HOLDER	6	6	6
	43	63213300	RETAINER,EJECT ORIGINAL HOLDER	6	6	6
	44	63213320	CUSHION,ORIGINAL COLLECTION	2	2	2
●	45	3B808140	STATIC ELIMINATOR,PAPER HOLDER GUIDE	1	1	1
	46	3B808130	SPRING,PAPER HOLDER GUIDE	1	1	1
●	47	65016080	STOP RING E3	3	3	3
●	48	68327321	SOLENOID,STOPPER	2	2	2
●	49	73210450	BUSH, 6	1	1	1
	50	M1203240	OPEN BUSHING,OCB-500	2	2	2
	51	M2104350	EDGING,EDS-0607M(KITAGAWA)	1	1	1
	52	M2105740	MINIATURE CLAMP,UAMS-05S-2	2	2	2
	53	M2107120	BINDING BAND SG-130	1	1	1
	54	M2109340	WIRE SADDLE,YMC-05-0(KITAGAWA)	1	1	1
	55	3B807760	REINFORCEMENT,TRAILING EDGE HOLDER GUIDE	1	1	1
●	56	67322230	BUSHING 8	3	3	3
	57	3B821160	HOLDER,MAIN EJECT	3	3	3
●	58	3B816920	STATIC ELIMINATOR,SUB EJECT	1	1	1
	59	3B821170	MOUNT,EJECT SWITCH	1	1	1
●	60	3B821180	PULLEY,EJECT	2	2	2
	61	74327180	PIN,CONNECTOR	1	1	1
●	62	66006360	PAPER SWITCH	2	2	2
	63	2A116180	BUSHING,TRANSFER	1	1	1
●	64	2A116190	GEAR,TRANSFER	1	1	1
	65	3B807880	PIN,PAPER HOLDER	2	2	2
	66	3B821190	HOOK,EJECT LEVER	1	1	1
	67	3B807930	MOUNT,MIDDLE TRAY FEED IN SW	1	1	1
	68	3B827660	GROUND WIRE,EJECT	1	1	1
	69	3B821200	FILM,EJECT STAY	1	1	1
	70	3B821220	SHIELD PLATE,EJECT STAY	2	2	2
	71	3B821240	UPPER CUSHION,EJECT GUIDE	2	2	2
●	72	66006360	PAPER SWITCH	1	1	1
	73	3B808100	FILM,SUB CONVEYING GUIDE	2	2	2
	74	61718720	PIN,CLEANING	1	1	1

• Parts with "●" indicates the Service parts.

FIG. 6 MIDDLE TRAY SECTION I

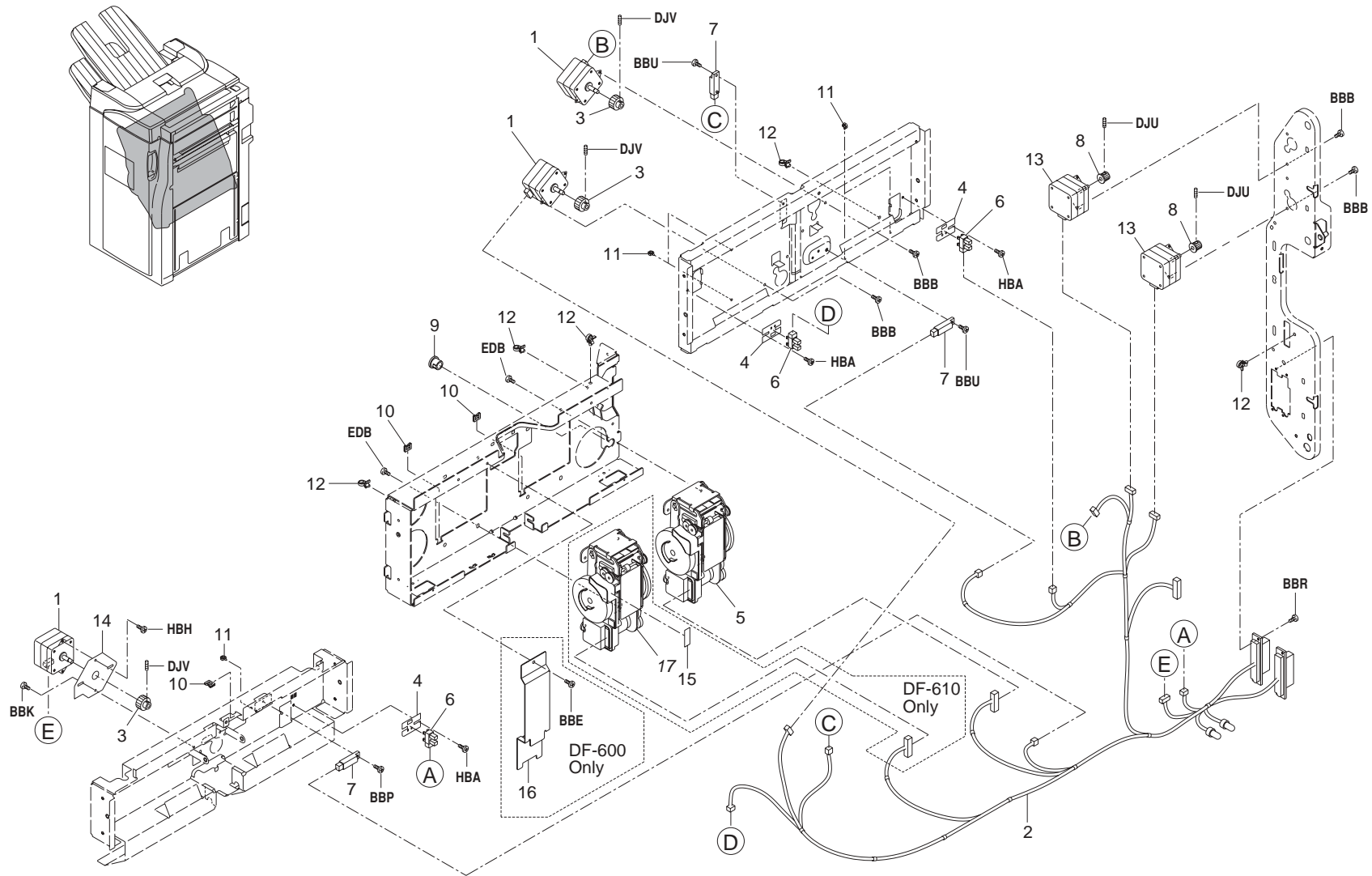


FIG. 6 MIDDLE TRAY SECTION I

3B8-1/3B9-1

SP	Ref. No.	Part. No.	Description	Quantity		
				120V	230V	240V
●	1	3B827030	MOTOR,SIDE REGISTRATION	3	3	3
	2	3B827520	LOWER WIRE,MIDDLE TRAY(DF-610 Only)	1	1	1
	2	3B927520	LOWER WIRE,MIDDLE TRAY(DF-600 Only)	1	1	1
●	3	3AK07080	GEAR,CURSOR MOTOR	3	3	3
	4	3AK07090	MOUNT,MIDDLE PI	3	3	3
●	5	3B827020	STAPLER	1	1	1
●	6	35327400	SWITCH,FEED	3	3	3
●	7	63227020	SWITCH,FEED	3	3	3
●	8	78722151	PULLEY 20	2	2	2
	9	M1203240	OPEN BUSHING,OCB-500	1	1	1
	10	M2104260	EDGING,EDS-0607U(KITAGAWA)	3	3	3
	11	M2105740	MINIATURE CLAMP,UAMS-05S-2	5	5	5
	12	M2107120	BINDING BAND SG-130	5	5	5
●	13	18393080	PARTS,MOTOR MOVING(SP)	2	2	2
	14	3B807870	LOWER ADJUSTING PLATE,SIDE REGISTRATION	1	1	1
●	15	3B808040	FILM,STAPLER SMALL(DF-610 Only)	1	1	1
	16	3B907010	LOWER GUIDE,STAPLER(DF-600 Only)	1	1	1
●	17	3B827020	STAPLER(DF-610 Only)	1	1	1

• Parts with "●" indicates the Service parts.

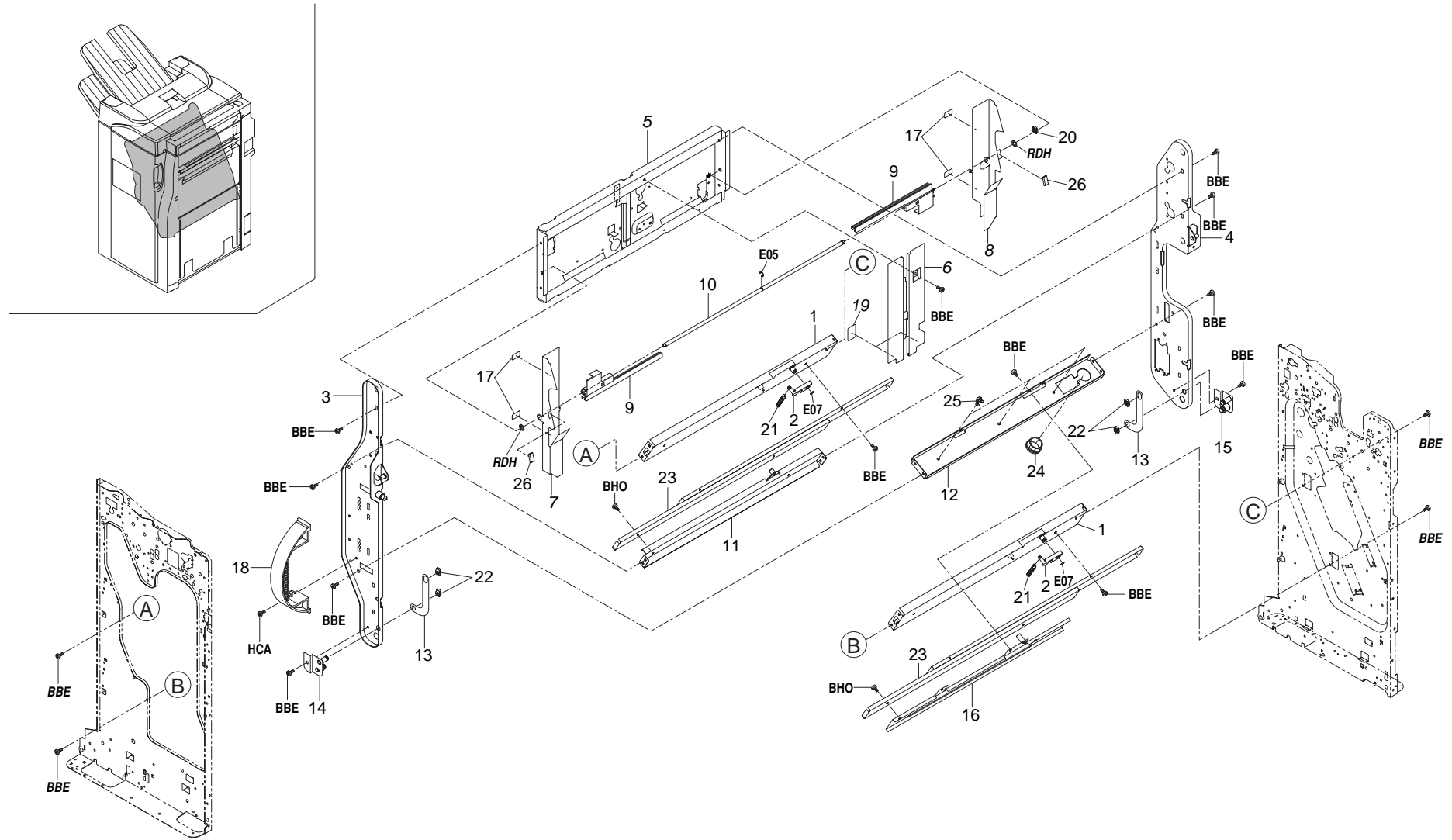


FIG. 7 MIDDLE TRAY SECTION II

3B8-1/3B9-1

SP	Ref. No.	Part. No.	Description	Quantity		
				120V	230V	240V
	1	3B802040	MOUNT,RAIL	2	2	2
	2	3B802160	HOOK,MIDDLE TRAY	2	2	2
	3	3B807010	FRONT FRAME,MIDDLE TRAY	1	1	1
	4	3B807020	REAR FRAME,MIDDLE TRAY	1	1	1
	5	3B807041	UPPER STAY,MIDDLE TRAY	1	1	1
	6	3B807060	UPPER GUIDE,MIDDLE TRAY	1	1	1
	7	3B807090	UPPER FRONT CURSOR,MIDDLE TRAY	1	1	1
	8	3B807100	UPPER REAR CURSOR,MIDDLE TRAY	1	1	1
	9	3B807160	UPPER RACK,MIDDLE TRAY	2	2	2
	10	3B807170	UPPER SHAFT,CURSOR	1	1	1
	11	3B807310	UPPER MOUNT,RAIL MIDDLE TRAY	1	1	1
	12	3B807320	LOWER MOUNT,RAIL MIDDLE TRAY	1	1	1
	13	3B807530	SUPPORT PLATE,MIDDLE TRAY RELEASE	2	2	2
	14	3B807540	FRONT FULCRUM PLATE,MIDDLE TRAY RELEASE	1	1	1
	15	3B807550	REAR FULCRUM PLATE,MIDDLE TRAY RELEASE	1	1	1
	16	3B807600	LOWER MOUNT B,RAIL MIDDLE TRAY	1	1	1
●	17	3B807640	PAD,CURSOR	4	4	4
	18	3B807650	HANDLE,MIDDLE TRAY	1	1	1
●	19	3B808120	UPPER INNER FILM,MIDDLE TRAY HOLDER	2	2	2
●	20	2A806250	RING STOPPER	1	1	1
	21	33902130	SPRING,CASSETTE HOOK	2	2	2
●	22	33973300	STOPPER 7,CARTRIDGE	4	4	4
	23	36716830	SLIDER,IMAGE FORMATION	2	2	2
	24	M1203510	OPEN BUSHING,OCB-1000	1	1	1
	25	M2107120	BINDING BAND SG-130	3	3	3
●	26	63213320	CUSHION,ORIGINAL COLLECTION	2	2	2

• Parts with "●" indicates the Service parts.

FIG. 8 MIDDLE TRAY SECTION III

3B8-1/3B9-1

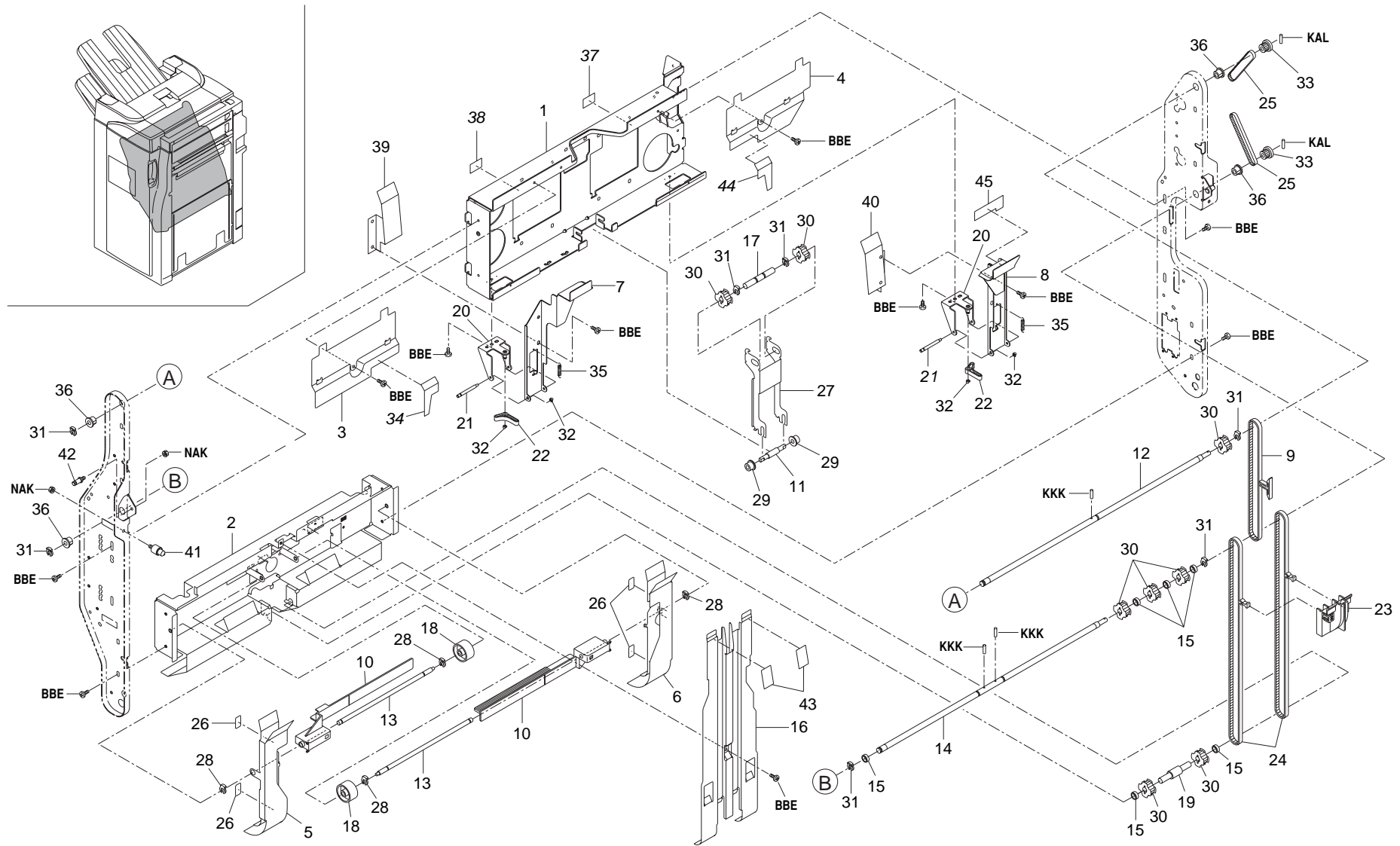


FIG. 8 MIDDLE TRAY SECTION III

3B8-1/3B9-1

SP	Ref. No.	Part. No.	Description	Quantity		
				120V	230V	240V
	1	3B807030	LOWER MOUNT,STAPLER	1	1	1
	2	3B807050	LOWER STAY,MIDDLE TRAY	1	1	1
	3	3B807070	FRONT GUIDE,MIDDLE TRAY	1	1	1
	4	3B807080	REAR GUIDE,MIDDLE TRAY	1	1	1
	5	3B807110	LOWER FRONT CURSOR,MIDDLE TRAY	1	1	1
	6	3B807120	LOWER REAR CURSOR,MIDDLE TRAY	1	1	1
	7	3B807130	FRONT STANDARD PLATE,MIDDLE TRAY	1	1	1
	8	3B807140	REAR STANDARD PLATE,MIDDLE TRAY	1	1	1
●	9	3B807150	BELT,MIDDLE CONVEYING	1	1	1
	10	3B807180	LOWER RACK,MIDDLE TRAY	2	2	2
	11	3B807190	SHAFT A,TENSION	1	1	1
	12	3B807200	UPPER SHAFT A,MIDDLE BELT	1	1	1
	13	3B807210	LOWER SHAFT,CURSOR	2	2	2
	14	3B807220	UPPER SHAFT B,MIDDLE BELT	1	1	1
	15	3B807230	COLLAR,MIDDLE BELT	6	6	6
	16	3B807240	LOWER GUIDE,MIDDLE TRAY	1	1	1
	17	3B807250	SHAFT B,TENSION	1	1	1
●	18	3B807260	PULLEY,MIDDLE TRAY	2	2	2
	19	3B807270	LOWER SHAFT,MIDDLE BELT	1	1	1
	20	3B807280	SUPPORT PLATE,MIDDLE TRAY AUXILIARY PLAT	2	2	2
	21	3B807290	SHAFT,MIDDLE TRAY AUXILIARY PLATE	2	2	2
	22	3B807300	LEVER,MIDDLE TRAY AUXILIARY PLATE	2	2	2
	23	3B807370	MOVING PLATE,MIDDLE TRAY	1	1	1
●	24	3B807380	LOWER BELT,MIDDLE TRAY	2	2	2
●	25	3B807610	BELT,MIDDLE TRAY MOTOR DRIVE	2	2	2
●	26	3B807640	PAD,CURSOR	4	4	4
	27	3B807720	LOWER TENSION PLATE,BELT	1	1	1
●	28	2A806250	RING STOPPER	4	4	4
●	29	48928800	PULLEY,TIMING BELT	2	2	2
●	30	3AK07230	PULLEY 20S3M	8	8	8
●	31	33973300	STOPPER 7,CARTRIDGE	7	7	7
●	32	65016080	STOP RING E3	4	4	4
●	33	65722250	PULLEY 20,EJECT	2	2	2
●	34	3B808080	FRONT FILM,GUIDE MIDDLE TRAY	1	1	1
	35	3B807800	SPRING,STANDARD LIFT	2	2	2
●	36	67322230	BUSHING 8	4	4	4
	37	3B805060	LABEL A	1	1	1
	38	3B805070	LABEL B	1	1	1
	39	3B807770	FRONT GUIDE,STANDARD	1	1	1
	40	3B807780	REAR GUIDE,STANDARD	1	1	1

SP	Ref. No.	Part. No.	Description	Quantity		
				120V	230V	240V
	41	3B807840	PIN,POSITIONING	1	1	1
	42	3B807850	PIN,HOOK	1	1	1
●	43	3B808030	UPPER INNER FILM,MIDDLE TRAY	2	2	2
●	44	3B808090	REAR FILM,GUIDE MIDDLE TRAY	1	1	1
●	45	3B808060	REAR FILM,STANDARD	1	1	1

• Parts with "●" indicates the Service parts.

FIG. 9 MIDDLE TRAY SECTION IV(DF-610 Only)

3B8-1/3B9-1

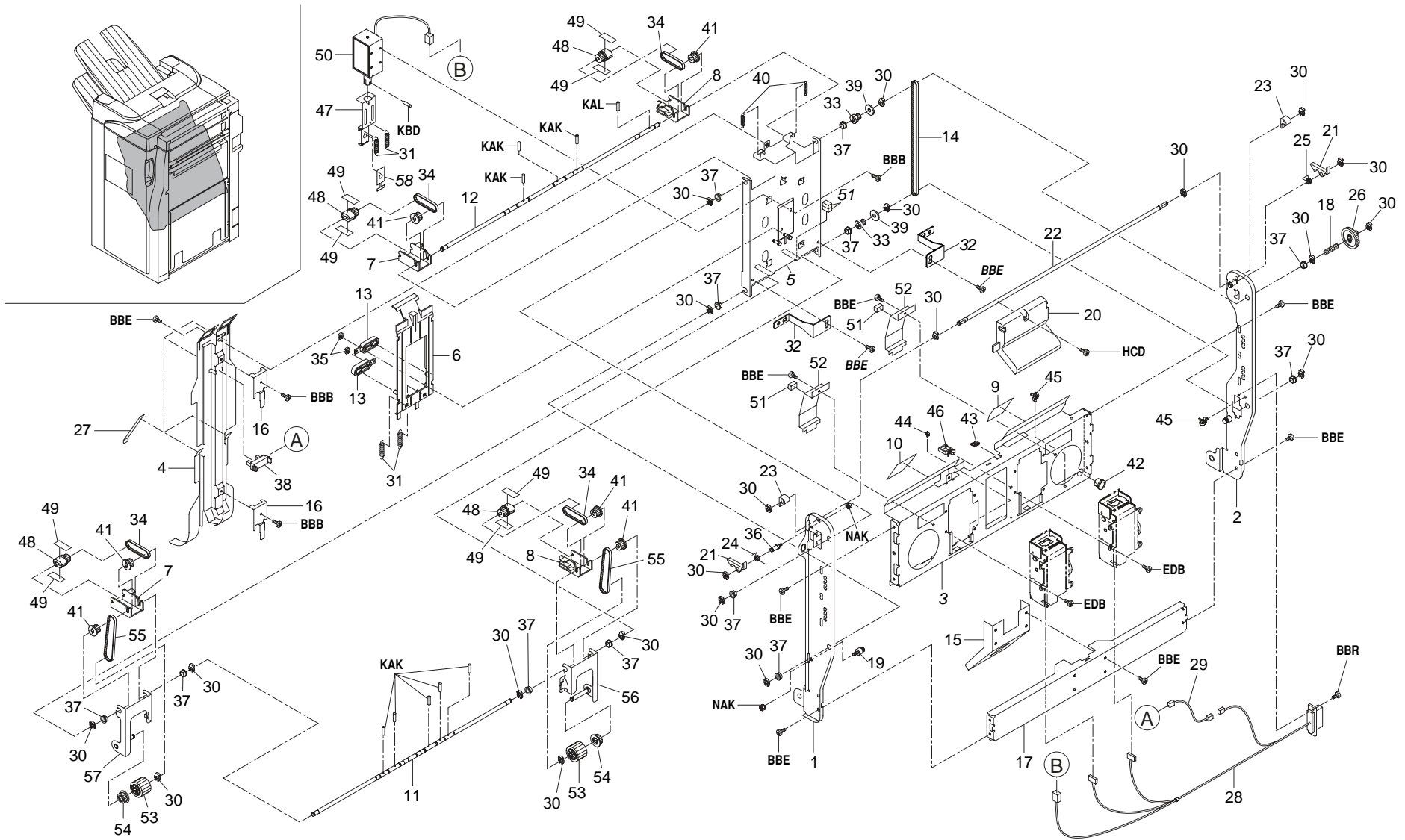


FIG. 9 MIDDLE TRAY SECTION IV(DF-610 Only)

3B8-1/3B9-1

SP	Ref. No.	Part. No.	Description	Quantity		
				120V	230V	240V
	1	3B807330	FRONT FRAME,MIDDLE TRAY RELEASE	1	1	1
	2	3B807340	REAR FRAME,MIDDLE TRAY RELEASE	1	1	1
	3	3B807351	UPPER MOUNT,STAPLER	1	1	1
	4	3B807360	GUIDE,MIDDLE TRAY RELEASE	1	1	1
	5	3B807391	MOUNT,FEED PULLEY	1	1	1
	6	3B807400	WORK PLATE,FEED PULLEY	1	1	1
●	7	3B807410	FRONT SUPPORT PLATE,FEED PULLEY	2	2	2
●	8	3B807420	REAR SUPPORT PLATE,FEED PULLEY	2	2	2
	9	3B808020	REAR UPPER OUTER FILM,MIDDLE TRAY	1	1	1
	10	3B808010	FRONT UPPER OUTER FILM,MIDDLE TRAY	1	1	1
	11	3B807450	LOWER SHAFT,FEED PULLEY	1	1	1
	12	3B807460	UPPER SHAFT,FEED PULLEY	1	1	1
	13	3B807470	LEVER,FEED PULLEY	2	2	2
●	14	3B807490	BELT,FEED PULLEY DRIVE	1	1	1
	15	3B807920	REINFORCEMENT,MIDDLE TRAY RELEASE GUIDE	1	1	1
	16	3B807510	RETAINER,PI	2	2	2
	17	3B807520	STAY,MIDDLE TRAY RELEASE	1	1	1
	18	3B807590	SPRING,MIDDLE TRAY JOINT	1	1	1
	19	3B807860	PIN,FULCRUM	1	1	1
	20	3B807660	HANDLE,MIDDLE TRAY RELEASE	1	1	1
	21	3B807670	HOOK,MIDDLE TRAY RELEASE	2	2	2
	22	3B807680	SHAFT,MIDDLE TRAY RELEASE	1	1	1
	23	3B807690	STOPPER,MIDDLE TRAY HOOK	2	2	2
	24	3B807700	FRONT SPRING,MIDDLE TRAY HOOK	1	1	1
	25	3B807710	REAR SPRING,MIDDLE TRAY HOOK	1	1	1
●	26	3B822150	GEAR 34,MIDDLE DRIVE JOINT	1	1	1
	27	3B808070	LOWER OUTER FILM,MIDDLE TRAY	4	4	4
	28	3B827510	UPPER WIRE,MIDDLE TRAY	1	1	1
	29	3B827570	LOWER JUNCTION WIRING,BELT SENSOR	1	1	1
●	30	2A806250	RING STOPPER	21	21	21
	31	48529417	SPRING,CLEANING SOLENOID	4	4	4
	32	3B807960	REINFORCEMENT,FEED PULLEY	2	2	2
●	33	35911520	PULLEY 16,ADF	2	2	2
●	34	36706410	BELT,FEED HANDLE	4	4	4
●	35	65016080	STOP RING E3	2	2	2
	36	3B807850	PIN,HOOK	1	1	1
●	37	73210450	BUSH, 6	12	12	12
●	38	74718390	OVERFLOW SENSOR	1	1	1
	39	75714210	COLLAR DEVELOPING UNIT	2	2	2
	40	3B807950	SPRING,FEED PULLEY	2	2	2

SP	Ref. No.	Part. No.	Description	Quantity		
				120V	230V	240V
●	41	76514050	PULLEY 20 DRIVE	6	6	6
	42	M1203240	OPEN BUSHING,OCB-500	1	1	1
	43	M2104260	EDGING,EDS-0607U(KITAGAWA)	1	1	1
	44	M2105740	MINIATURE CLAMP,UAMS-05S-2	2	2	2
	45	M2107120	BINDING BAND SG-130	2	2	2
	46	M2109230	WIRE SADDLE,LWS-3S(KITAGAWA)	1	1	1
	47	3B807480	LEVER,CONVEYING PULLEY	1	1	1
●	48	3AK08300	ROLLER,LEADING FEED	4	4	4
	49	3B807820	SHEET,LEADING FEED ROLLER	8	8	8
●	50	68327321	SOLENOID,STOPPER	1	1	1
●	51	63213320	CUSHION,ORIGINAL COLLECTION	4	4	4
	52	3B807790	UPPER GUIDE,STANDARD	4	4	4
●	53	68721420	PULLEY,LEADING REGISTRATION	2	2	2
●	54	3B807620	PULLEY 27,CONVEYING DRIVE	2	2	2
●	55	3B807500	BELT,CONVEYING PULLEY	2	2	2
	56	3B807440	REAR SUPPORT PLATE,CONVEYING PULLEY	1	1	1
	57	3B807430	FRONT SUPPORT PLATE,CONVEYING PULLEY	1	1	1
	58	3B808110	FILM,CONVEYING PULLEY LEVER	1	1	1

• Parts with "●" indicates the Service parts.

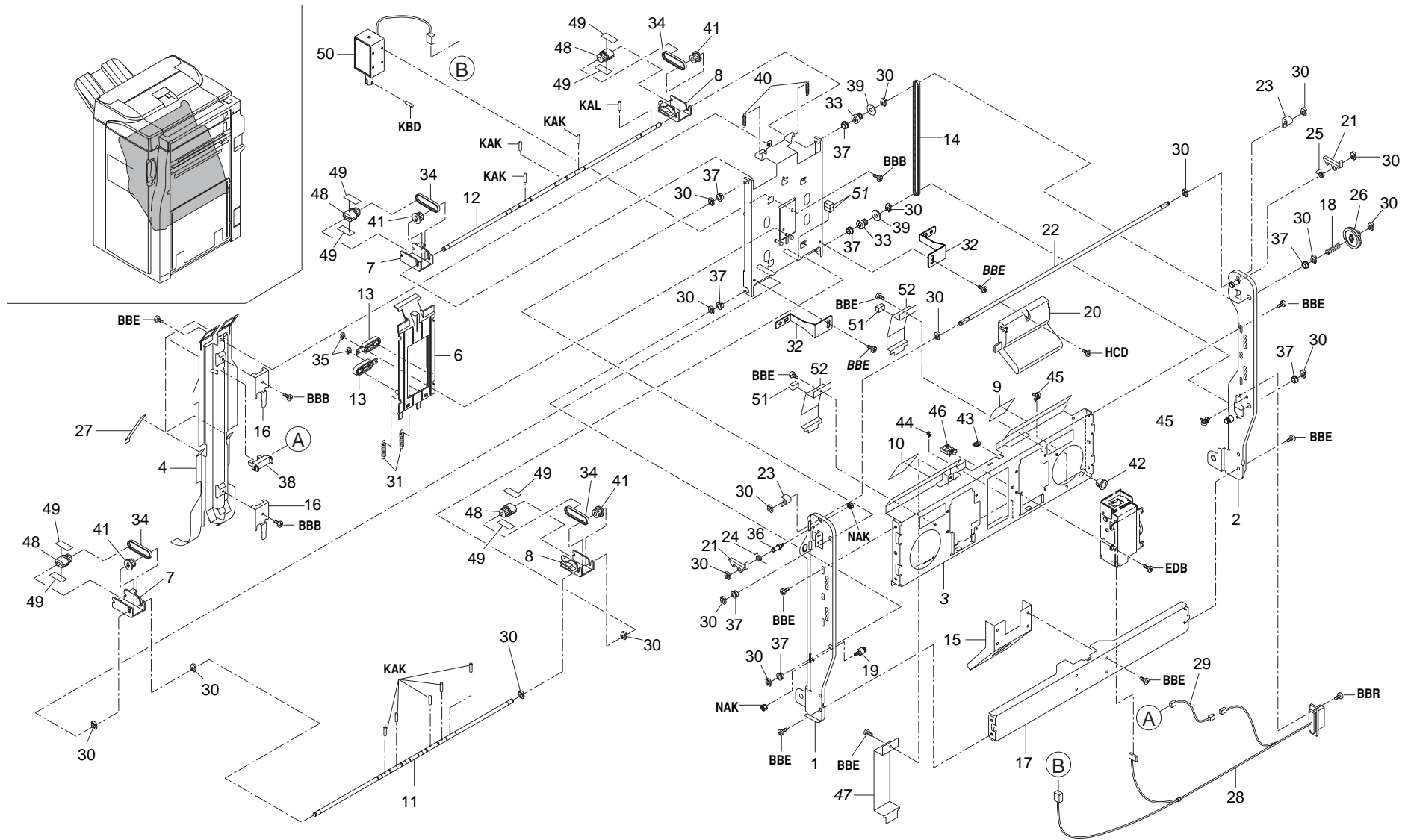


FIG. 9 MIDDLE TRAY SECTION IV(DF-600 Only)

3B8-1/3B9-1

SP	Ref. No.	Part. No.	Description	Quantity		
				120V	230V	240V
	1	3B807330	FRONT FRAME,MIDDLE TRAY RELEASE	1	1	1
	2	3B807340	REAR FRAME,MIDDLE TRAY RELEASE	1	1	1
	3	3B807351	UPPER MOUNT,STAPLER	1	1	1
	4	3B807360	GUIDE,MIDDLE TRAY RELEASE	1	1	1
	5	3B807391	MOUNT,FEED PULLEY	1	1	1
	6	3B807400	WORK PLATE,FEED PULLEY	1	1	1
●	7	3B807410	FRONT SUPPORT PLATE,FEED PULLEY	2	2	2
●	8	3B807420	REAR SUPPORT PLATE,FEED PULLEY	2	2	2
●	9	3B808020	REAR UPPER OUTER FILM,MIDDLE TRAY	1	1	1
●	10	3B808010	FRONT UPPER OUTER FILM,MIDDLE TRAY	1	1	1
	11	3B807450	LOWER SHAFT,FEED PULLEY	1	1	1
	12	3B807460	UPPER SHAFT,FEED PULLEY	1	1	1
	13	3B807470	LEVER,FEED PULLEY	2	2	2
●	14	3B807490	BELT,FEED PULLEY DRIVE	1	1	1
	15	3B807920	REINFORCEMENT,MIDDLE TRAY RELEASE GUIDE	1	1	1
	16	3B807510	RETAINER,PI	2	2	2
	17	3B807520	STAY,MIDDLE TRAY RELEASE	1	1	1
	18	3B807590	SPRING,MIDDLE TRAY JOINT	1	1	1
	19	3B807860	PIN,FULCRUM	1	1	1
	20	3B807660	HANDLE,MIDDLE TRAY RELEASE	1	1	1
	21	3B807670	HOOK,MIDDLE TRAY RELEASE	2	2	2
	22	3B807680	SHAFT,MIDDLE TRAY RELEASE	1	1	1
	23	3B807690	STOPPER,MIDDLE TRAY HOOK	2	2	2
	24	3B807700	FRONT SPRING,MIDDLE TRAY HOOK	1	1	1
	25	3B807710	REAR SPRING,MIDDLE TRAY HOOK	1	1	1
●	26	3B822150	GEAR 34,MIDDLE DRIVE JOINT	1	1	1
●	27	3B808070	LOWER OUTER FILM,MIDDLE TRAY	4	4	4
	28	3B927510	UPPER WIRE,MIDDLE TRAY	1	1	1
	29	3B827570	LOWER JUNCTION WIRING,BELT SENSOR	1	1	1
●	30	2A806250	RING STOPPER	19	19	19
	31	48529417	SPRING,CLEANING SOLENOID	2	2	2
	32	3B807960	REINFORCEMENT,FEED PULLEY	2	2	2
●	33	35911520	PULLEY 16,ADF	2	2	2
●	34	36706410	BELT,FEED HANDLE	4	4	4
●	35	65016080	STOP RING E3	2	2	2
	36	3B807850	PIN,HOOK	1	1	1
●	37	73210450	BUSH, 6	8	8	8
●	38	74718390	OVERFLOW SENSOR	1	1	1
	39	75714210	COLLAR DEVELOPING UNIT	2	2	2
	40	3B807950	SPRING,FEED PULLEY	2	2	2

SP	Ref. No.	Part. No.	Description	Quantity		
				120V	230V	240V
●	41	76514050	PULLEY 20 DRIVE	4	4	4
	42	M1203240	OPEN BUSHING,OCB-500	1	1	1
	43	M2104260	EDGING,EDS-0607U(KITAGAWA)	1	1	1
	44	M2105740	MINIATURE CLAMP,UAMS-05S-2	2	2	2
	45	M2107120	BINDING BAND SG-130	2	2	2
	46	M2109230	WIRE SADDLE,LWS-3S(KITAGAWA)	1	1	1
	47	3B907020	UPPER GUIDE,STAPLER	1	1	1
●	48	3AK08300	ROLLER,LEADING FEED	4	4	4
●	49	3B807820	SHEET,LEADING FEED ROLLER	8	8	8
●	50	68327321	SOLENOID,STOPPER	1	1	1
●	51	63213320	CUSHION,ORIGINAL COLLECTION	4	4	4
	52	3B807790	UPPER GUIDE,STANDARD	2	2	2

• Parts with "●" indicates the Service parts.

FIG. 10 MAIN TRAY SECTION

3B8-1/3B9-1

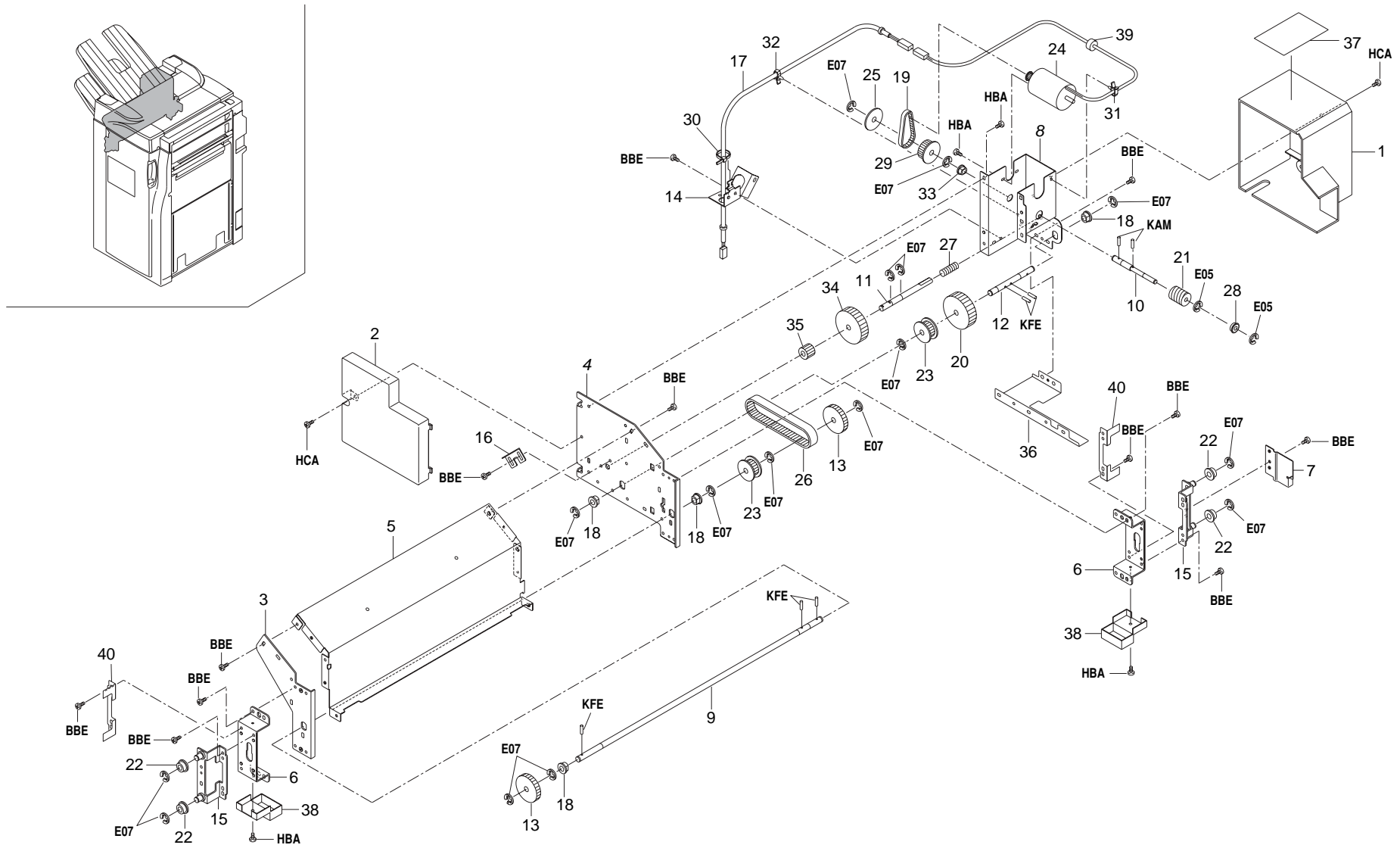


FIG. 10 MAIN TRAY SECTION

3B8-1/3B9-1

SP	Ref. No.	Part. No.	Description	Quantity		
				120V	230V	240V
●	1	3B804150	COVER,MOTOR	1	1	1
●	2	3B804200	FRONT COVER,MOTOR	1	1	1
	3	3B820010	FRONT SUPPORT PLATE,TRAY	1	1	1
	4	3B820021	REAR SUPPORT PLATE,TRAY	1	1	1
	5	3B820030	INNER SUPPORT PLATE,TRAY	1	1	1
	6	3B820040	MOUNT BASE,PIN SUPPORT PLATE	2	2	2
	7	3B820050	DETECTION PLATE,MAIN TRAY	1	1	1
	8	3B820061	MOUNT,TRAY DRIVE	1	1	1
	9	3B820080	SHAFT,TRAY LIFT	1	1	1
	10	3B820090	SHAFT,LIFT WORM	1	1	1
	11	3B820100	SHAFT 18/50,LIFT	1	1	1
	12	3B820110	SHAFT 20/51,LIFT	1	1	1
●	13	3B820120	GEAR 26,LIFT	2	2	2
	14	3B820130	MOUNT,JUNCTION WIRING TRAY	1	1	1
	15	3B820140	SUPPORT PLATE,PIN	2	2	2
	16	3B820150	RETAINER,SHAFT LIFT	1	1	1
	17	3B827590	JUNCTION WIRING,MAIN TRAY	1	1	1
●	18	49021100	BUSHING	4	4	4
●	19	3AK08360	BELT,LEADING FEED	1	1	1
●	20	3AK20090	GEAR 51	1	1	1
●	21	3AK20130	GEAR,WORM MAIN TRAY	1	1	1
●	22	3AK20200	PULLEY,MAIN TRAY	4	4	4
●	23	3AK20230	PULLEY 20S5M	2	2	2
●	24	3B827080	MOTOR,MAIN TRAY	1	1	1
●	25	63416200	PULLEY 34,CONVEYING	1	1	1
●	26	63422220	BELT,DRIVE CAM A	1	1	1
	27	3B820200	SPRING,TRAY DRIVE	1	1	1
●	28	74808080	BEARING,686ZZNR	1	1	1
	29	78918290	FLANGE PULLEY 27	1	1	1
	30	M0207000	BINDING BAND,KB-100-1	1	1	1
	31	M2109340	WIRE SADDLE,YMC-05-0(KITAGAWA)	1	1	1
	32	M2109350	WIRE SADDLE,YMC-15-0(KITAGAWA)	1	1	1
●	33	67322230	BUSHING 8	1	1	1
●	34	3B820180	GEAR 50,TRAY DRIVE	1	1	1
●	35	3B820190	GEAR 18,TRAY DRIVE	1	1	1
	36	3B820160	REINFORCEMENT,TRAY DRIVE	1	1	1
●	37	3B805090	LABEL,LIFT CAUTION	1	1	1
	38	3B820170	LOWER CUSHION,TRAY	2	2	2
	39	33927590	CORE 7-15X18	1	1	1
	40	3B820210	REINFORCEMENT,PIN SUPPORT PLATE	2	2	2

• Parts with "●" indicates the Service parts.

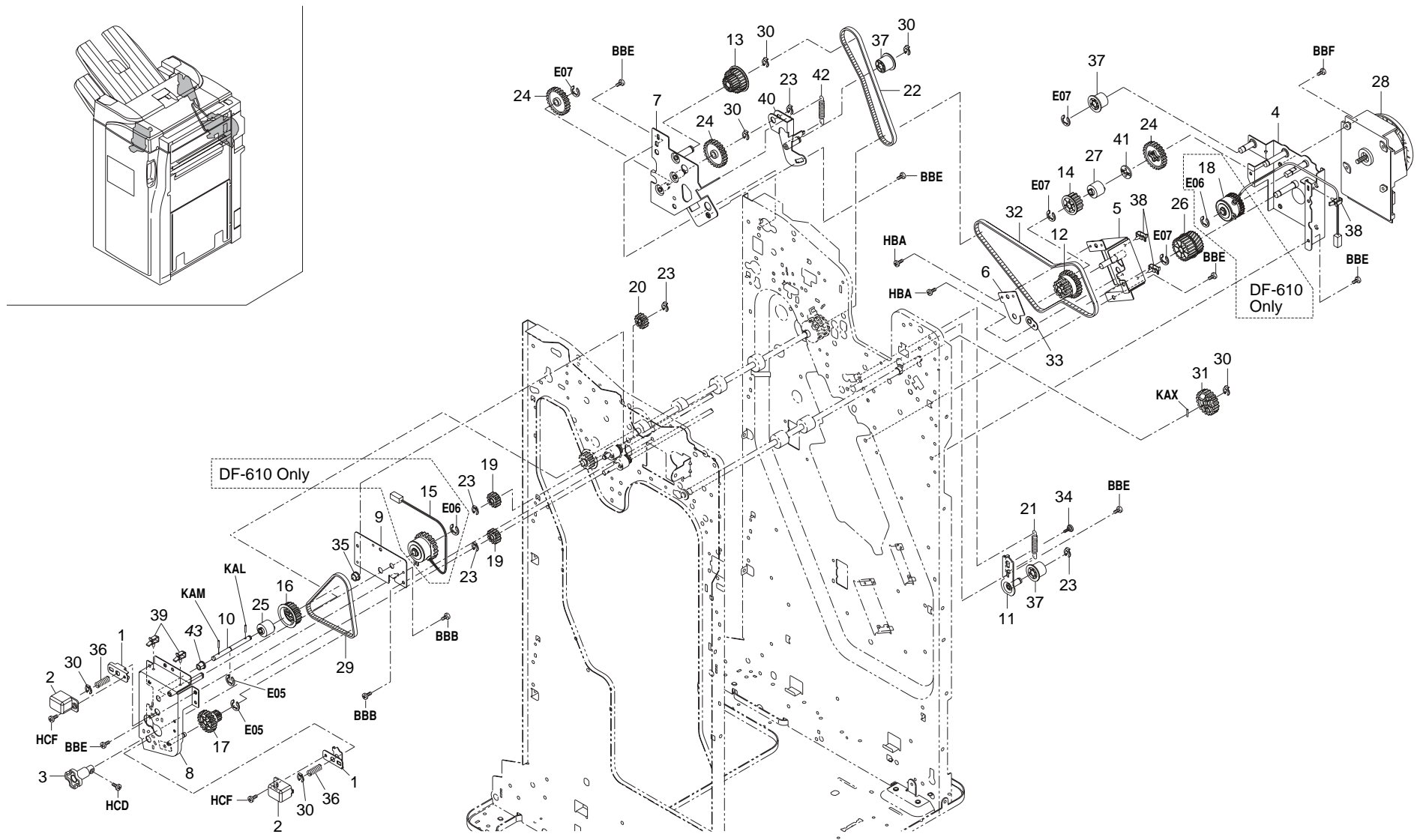


FIG. 11 DRIVING SECTION

3B8-1/3B9-1

SP	Ref. No.	Part. No.	Description	Quantity		
				120V	230V	240V
	1	3B816330	LEVER,DECURLER PRESSURE	2	2	2
	2	3B816400	LEVER,PRESSING PLATE	2	2	2
	3	3B816410	HANDLE,DECURLER	1	1	1
	4	3B822010	MOUNT,DRIVE MOTOR	1	1	1
	5	3B822020	MOUNT,MIDDLE TRAY DRIVE	1	1	1
	6	3B822030	SUPPORT PLATE,MIDDLE TRAY DRIVE	1	1	1
	7	3B822040	MOUNT,EJECT DRIVE	1	1	1
	8	3B822050	MOUNT,CONVEYING DRIVE	1	1	1
	9	3B822060	SUPPORT PLATE,CONVEYING DRIVE	1	1	1
	10	3B822070	SHAFT,CONVEYING DRIVE	1	1	1
	11	3B822080	TENSION PLATE,LOOP DRIVE	1	1	1
●	12	3B822090	GEAR Z40/P30,MIDDLE TRAY DRIVE	1	1	1
●	13	3B822100	GEAR Z21/P38,EJECT	1	1	1
●	14	3B822130	PULLEY 30,FEED IN	1	1	1
●	15	3B822160	CLUTCH 40,CONVEYING(DF-610 Only)	1	1	1
●	16	3B822170	PULLEY P36,CONVEYING DRIVE	1	1	1
●	17	3B822180	GEAR Z31/P18,CONVEYING DRIVE	1	1	1
●	18	3B822190	CLUTCH 33,CONVEYING(DF-610 Only)	1	1	1
●	19	3B822210	GEAR 20,TORQUE LIMITER	2	2	2
●	20	2AC18280	GEAR 20,SPIRAL	1	1	1
	21	2AC18300	SPRING,CLEANING	1	1	1
●	22	2A722430	BELT,HANDLE	1	1	1
●	23	2A806250	RING STOPPER	5	5	5
●	24	3AK22140	GEAR 40,MIDDLE DRIVE	3	3	3
●	25	3B822230	TORQUE LIMITER,DRIVE	1	1	1
●	26	3BD22030	PULLEY 37/48,DRIVE	1	1	1
●	27	36816380	TORQUE LIMITER,ROLLER FEED IN	1	1	1
●	28	3BD27010	MOTOR,MAIN	1	1	1
●	29	33922160	BELT,DRUM DRIVE	1	1	1
●	30	34806480	STOPPER 6	6	6	6
●	31	36714110	GEAR,DEVELOPING SLEEVE	1	1	1
●	32	63416300	TIMING BELT C,CONVEYING	1	1	1
●	33	66015220	BUSHING 6,SPACER	1	1	1
	34	71802210	PIN,DRUM LIFT	1	1	1
●	35	73210450	BUSH, 6	1	1	1
	36	74318270	SPRING,TONER DISPOSAL	2	2	2
●	37	74322350	PULLEY,DRIVE TENSION	3	3	3
	38	M2109340	WIRE SADDLE,YMC-05-0(KITAGAWA)	3	3	3
	39	M2109350	WIRE SADDLE,YMC-15-0(KITAGAWA)	2	2	2
	40	3B822250	TENSION PLATE,EJECT DRIVE	1	1	1

SP	Ref. No.	Part. No.	Description	Quantity		
				120V	230V	240V
	41	3B822240	JOINT 8,TORQUE LIMITER	1	1	1
●	42	75607370	LEADING EDGE ARM SPRING	1	1	1
	43	2A806030	BUSH FEED	1	1	1

• Parts with "●" indicates the Service parts.

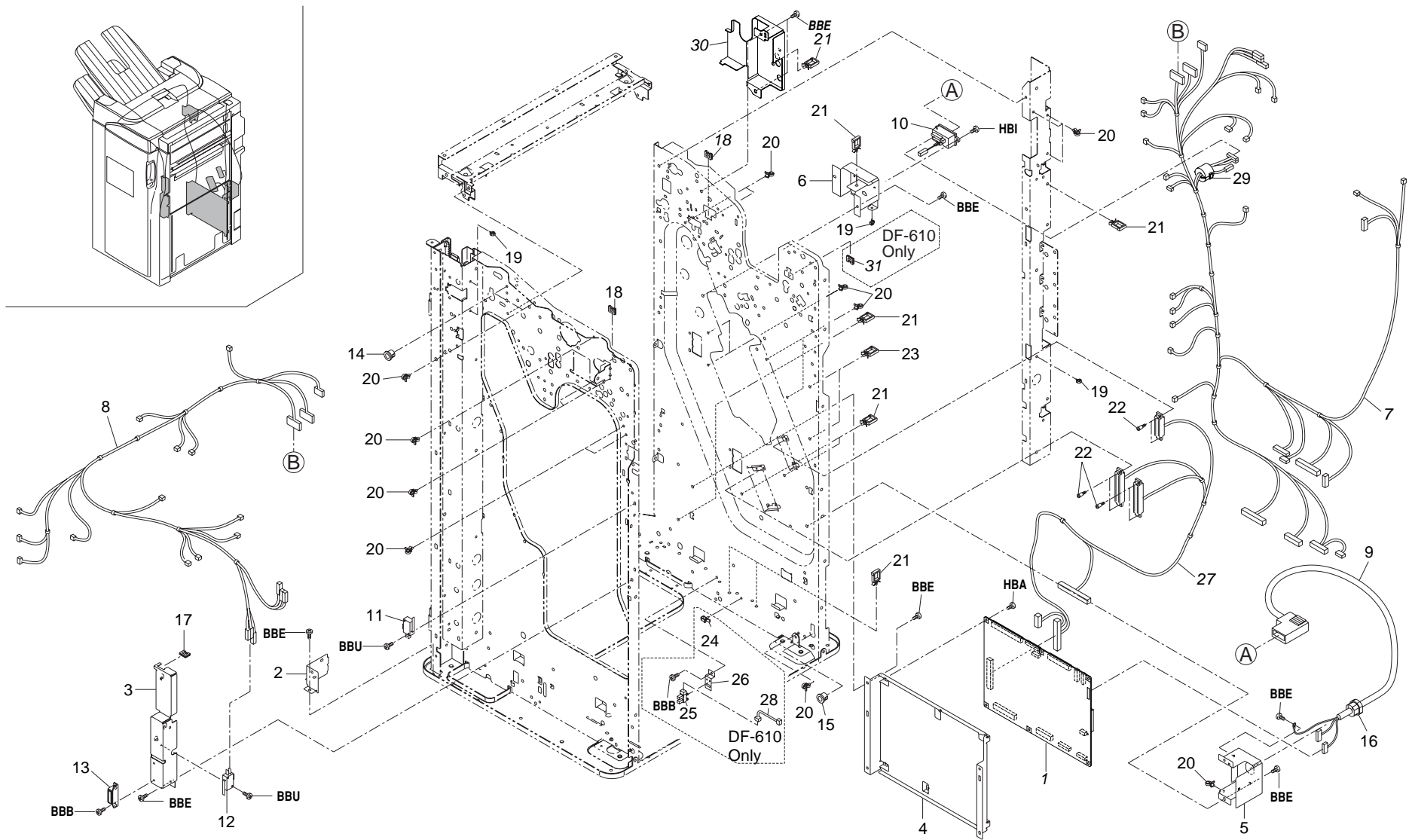


FIG. 12 ELECTRICAL COMPONENTS

3B8-1/3B9-1

SP	Ref. No.	Part. No.	Description	Quantity		
				120V	230V	240V
●	1	3B801014	MAIN PCB ASS'Y	1	1	1
	2	3B802180	LOWER FRONT SUPPORT PLATE,RACK	1	1	1
	3	3B804070	FRONT MOUNT,SAFETY SWITCH	1	1	1
	4	3B826010	MOUNT,MAIN PCB	1	1	1
	5	3B826020	MOUNT,INTERFACE CABLE	1	1	1
	6	3B826030	MOUNT,TRAY WIRE	1	1	1
	7	3B827500	WIRE,MAIN(DF-610 Only)	1	1	1
	7	3B927500	WIRE,MAIN(DF-600 Only)	1	1	1
	8	3B827530	FRONT WIRE(DF-610 Only)	1	1	1
	8	3B927530	FRONT WIRE(DF-600 Only)	1	1	1
	9	3B827540	WIRE,INTERFACE	1	1	1
	10	3B827620	CONNECTOR,TRAY	1	1	1
	11	3AK27030	SWITCH,SET	1	1	1
	12	36827140	SWITCH A,INTERLOCK	1	1	1
	13	60804120	MAGNET CATCH	1	1	1
	14	M1203220	OPEN BUSHING,OCB-625	1	1	1
	15	M1203240	OPEN BUSHING,OCB-500	1	1	1
	16	M1203550	STRAIN RELEAF BUSHING,SR-7W-2	1	1	1
	17	M2104200	EDGING EDS-1	1	1	1
	18	M2104350	EDGING,EDS-0607M(KITAGAWA)	2	2	2
	19	M2105740	MINIATURE CLAMP,UAMS-05S-2	4	4	4
	20	M2107120	BINDING BAND SG-130	18	18	18
	21	M2109210	LOCKING WIRE SADDLE,LWS-8S-2.5W	8	8	8
	22	74327180	PIN,CONNECTOR	6	6	6
	23	M2109180	WIRE SADDLE,LWS-1S	2	2	2
	24	M2109340	WIRE SADDLE,YMC-05-0(KITAGAWA)(DF-610 Only)	1	1	1
	25	35327400	SWITCH,FEED(DF-610 Only)	1	1	1
	26	3B826040	MOUNT,UNIT DETECTION PI(DF-610 Only)	1	1	1
	27	3B827630	WIRE,MIDDLE TRAY	1	1	1
	28	3B827060	JUNCTION WIRING,SADDLE UNIT DETECTION(DF-610 Only)	1	1	1
	29	2AV27440	CORE 15-26X13	1	1	1
	30	3B826050	COVER,WIRE GUIDE	1	1	1
	31	M2104350	EDGING,EDS-0607M(KITAGAWA)(DF-610 Only)	1	1	1

• Parts with "●" indicates the Service parts.

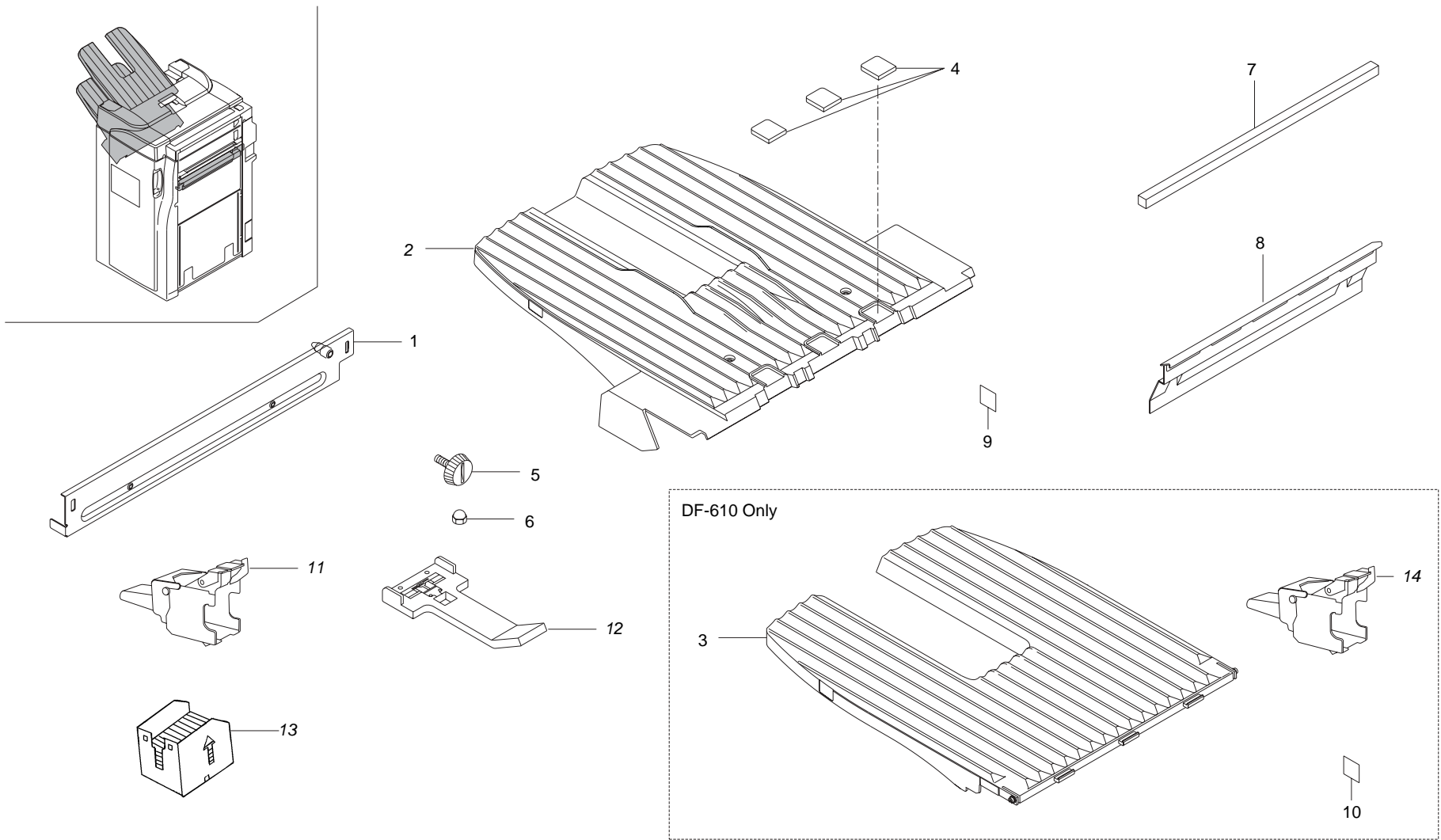


FIG. 13 ACCESSORIES

3B8-1/3B9-1

SP	Ref. No.	Part. No.	Description	Quantity		
				120V	230V	240V
●	1	3B803010	JUNCTION PLATE,FINISHER	1	1	1
●	2	3B804141	TRAY,MAIN	1	1	1
●	3	3B804180	TRAY,SUB(DF-610 Only)	1	1	1
●	4	3AK20240	VIBRATION INSULATOR,MAIN TRAY	3	3	3
	5	33920500	RETAINING PIN,FIXING GUIDE	2	2	2
	6	C1054070	DOMED CAP NUT M4(CLASS 2)	2	2	2
	7	3B803020	SPONGE,JOINT	1	1	1
	8	3B816900	GUIDE,FEED IN AUXILIARY	1	1	1
●	9	3B805060	LABEL A	1	1	1
●	10	3B805070	LABEL B(DF-610 Only)	1	1	1
●	11	3B868020	CARTRIDGE,STAPLER	1	1	1
●	12	3B868010	SPECIAL TOOL,STAPLER	1	1	1
	13	36882040	SET STAPLE CARTRIDGE	1	1	1
●	14	3B868020	CARTRIDGE,STAPLER(DF-610 Only)	1	1	1

• Parts with "●" indicates the Service parts.

INDEX

3B8-1/3B9-1

SP	Part. No.	Description	Quantity			Fig. No.
			120V	230V	240V	
●	18393080	PARTS,MOTOR MOVING(SP)	2	2	2	6
●	2AC18280	GEAR 20, SPIRAL	1	1	1	11
	2AC18300	SPRING,CLEANING	1	1	1	11
	2AV27440	CORE 15-26X13	1	1	1	12
	2A116180	BUSHING,TRANSFER	1	1	1	5
●	2A116190	GEAR,TRANSFER	1	1	1	5
●	2A722430	BELT,HANDLE	1	1	1	11
●	2A806030	BUSH FEED	2	2	2	5,11
●	2A806250	RING STOPPER	78	78	78	3,4,5,7,8,9,11
●	2A820100	PULLEY EXIT	4	4	4	3
	29802230	PIN,CONNECTOR	2	2	2	2
	3AK02080	PULLEY,FINISHER	2	2	2	2
	3AK04160	GUIDE,FRONT COVER	1	1	1	1
	3AK06120	SPRING,MAIN EJECT	2	2	2	5
●	3AK07080	GEAR,CURSOR MOTOR	3	3	3	6
	3AK07090	MOUNT,MIDDLE PI	8	8	8	2,6
●	3AK07230	PULLEY 20S3M	8	8	8	8
●	3AK08300	ROLLER,LEADING FEED	8	8	8	9
●	3AK08360	BELT,LEADING FEED	1	1	1	10
●	3AK08480	CUSHION,FEED SHIFT GUIDE	3	3	3	5
●	3AK20090	GEAR 51	1	1	1	10
●	3AK20130	GEAR,WORM MAIN TRAY	1	1	1	10
	3AK20150	DETECTION PLATE,MAIN TRAY SENSOR M	2	2	2	2
	3AK20160	MOUNT,MAIN TRAY SENSOR MIDDLE	2	2	2	2
	3AK20170	FILM,MAIN TRAY SENSOR	2	2	2	2
●	3AK20200	PULLEY,MAIN TRAY	4	4	4	10
●	3AK20230	PULLEY 20S5M	2	2	2	10
●	3AK20240	VIBRATION INSULATOR,MAIN TRAY	3	3	3	13
	3AK20250	SPRING,MAIN TRAY SENSOR MIDDLE	2	2	2	2
●	3AK22140	GEAR 40,MIDDLE DRIVE	3	3	3	11
●	3AK27030	SWITCH,SET	2	2	2	4,12
●	3AK27040	SOLENOID,PADDLE	2	2	2	3,4
●	3BC08220	PULLEY B,REGISTRATION	2	2	2	4
●	3BD22030	PULLEY 37/48,DRIVE	1	1	1	11
●	3BD22040	PULLEY 31,CONVEYING ROLLER	1	1	1	4
●	3BD27010	MOTOR,MAIN	1	1	1	11
●	3B801014	MAIN PCB ASS'Y	1	1	1	12
	3B802011	FRONT FRAME	1	1	1	2
	3B802021	REAR FRAME	1	1	1	2

SP	Part. No.	Description	Quantity			Fig. No.
			120V	230V	240V	
	3B802030	BASE	1	1	1	2
	3B802040	MOUNT,RAIL	2	2	2	7
	3B802050	REINFORCEMENT,FEED IN LOW	1	1	1	1
	3B802060	STAY,MAIN EJECT	1	1	1	5
	3B802070	STAY,PARTITION	2	2	2	2
	3B802080	SUPPORT PLATE,PULLEY FINISHER	2	2	2	2
	3B802090	SHAFT,PULLEY FINISHER	2	2	2	2
	3B802100	PARTITION,FINISHER	1	1	1	2
	3B802110	LOWER LEFT PARTITION	1	1	1	2
	3B802121	STAY,RAIL	1	1	1	2
	3B802130	GUIDE,PIN JOINT	1	1	1	2
●	3B802140	RAIL,JUNCTION PLATE	1	1	1	2
	3B802150	MOUNT,DRAWER	1	1	1	2
	3B802160	HOOK,MIDDLE TRAY	2	2	2	7
	3B802170	SUPPORT PLATE,HOOK	4	4	4	4
	3B802180	LOWER FRONT SUPPORT PLATE,RACK	1	1	1	12
	3B802190	LOWER REAR SUPPORT PLATE,RACK	1	1	1	2
	3B802200	LOWER LEFT SHAFT	1	1	1	2
	3B802210	SHAFT,JOINT	1	1	1	2
●	3B802220	HOOK,JUNCTION PLATE	2	2	2	2
	3B802230	LEVER,JUNCTION PLATE	1	1	1	2
	3B802240	RETAINER,STAY	1	1	1	2
	3B802250	SPRING,UNIT RELEASE	1	1	1	2
	3B802500	FRONT REINFORCEMENT	1	1	1	2
	3B802510	REAR REINFORCEMENT	1	1	1	2
	3B802520	FRONT RACK,LIFT TRAY	1	1	1	2
	3B802530	REAR RACK,LIFT TRAY	1	1	1	2
	3B802540	FRONT SUPPORT PLATE,RACK	1	1	1	2
	3B802550	REAR SUPPORT PLATE,RACK	1	1	1	2
	3B802560	RAIL,TRAY	2	2	2	2
	3B802590	RIGHT FRONT PARTITION,DRIVE	1	1	1	2
	3B802600	RIGHT REAR PARTITION,DRIVE	1	1	1	2
	3B802610	LEFT FRONT PARTITION,DRIVE	1	1	1	2
	3B802620	LEFT REAR PARTITION,DRIVE	1	1	1	2
	3B803010	JUNCTION PLATE,FINISHER	1	1	1	13
	3B803020	SPONGE,JOINT	1	1	1	13
●	3B804010	TOP COVER	1	1	1	1
●	3B804020	FRONT COVER	1	1	1	1
●	3B804030	REAR COVER	1	1	1	1
	3B804040	FRONT HINGE,COVER	1	1	1	1

• Parts with "●" indicates the Service parts.

SP	Part. No.	Description	Quantity			Fig. No.
			120V	230V	240V	
	3B804060	FRONT FULCRUM PLATE,COVER	2	2	2	2
	3B804070	FRONT MOUNT,SAFETY SWITCH	1	1	1	12
	3B804080	BASE,MAGNET	1	1	1	1
●	3B804090	REAR LID,COVER	1	1	1	1
●	3B804120	TOP COVER,RELEASE	2	2	2	3
●	3B804130	TOP HANDLE,COVER RELEASE	2	2	2	3
	3B804141	TRAY,MAIN	1	1	1	13
●	3B804150	COVER,MOTOR	1	1	1	10
●	3B804160	TOP LID,COVER	1	1	1	1
	3B804180	TRAY,SUB	1	1	1	13
●	3B804190	LID,HANDLE	1	1	1	1
●	3B804200	FRONT COVER,MOTOR	1	1	1	10
	3B804210	TOP LID RIGHT,COVER	1	1	1	2
	3B804220	COVER,SAFETY SWITCH	1	1	1	2
	3B804230	COVER,CASTER	1	1	1	2
	3B804240	LEFT INNER COVER	1	1	1	1
	3B804250	RIGHT INNER COVER	1	1	1	1
	3B804260	LOWER HANDLE,FEED IN RELEASE	1	1	1	4
	3B804270	HANDLE,RAIL	1	1	1	2
	3B804280	REINFORCEMENT,RAIL HANDLE	1	1	1	2
	3B804300	TOP GUIDE,LID COVER	1	1	1	1
	3B804310	ADJUSTING PLATE,HINGE	1	1	1	2
●	3B805050	LABEL,JAM REMOVED(EXP)	1	1	1	1
●	3B805060	LABEL A	2	2	2	8,13
●	3B805070	LABEL B	2	2	2	8,13
●	3B805090	LABEL,LIFT CAUTION	1	1	1	10
	3B807010	FRONT FRAME,MIDDLE TRAY	1	1	1	7
	3B807020	REAR FRAME,MIDDLE TRAY	1	1	1	7
	3B807030	LOWER MOUNT,STAPLER	1	1	1	8
	3B807041	UPPER STAY,MIDDLE TRAY	1	1	1	7
	3B807050	LOWER STAY,MIDDLE TRAY	1	1	1	8
	3B807060	UPPER GUIDE,MIDDLE TRAY	1	1	1	7
	3B807070	FRONT GUIDE,MIDDLE TRAY	1	1	1	8
	3B807080	REAR GUIDE,MIDDLE TRAY	1	1	1	8
	3B807090	UPPER FRONT CURSOR,MIDDLE TRAY	1	1	1	7
	3B807100	UPPER REAR CURSOR,MIDDLE TRAY	1	1	1	7
	3B807110	LOWER FRONT CURSOR,MIDDLE TRAY	1	1	1	8
	3B807120	LOWER REAR CURSOR,MIDDLE TRAY	1	1	1	8
	3B807130	FRONT STANDARD PLATE,MIDDLE TRAY	1	1	1	8
	3B807140	REAR STANDARD PLATE,MIDDLE TRAY	1	1	1	8

SP	Part. No.	Description	Quantity			Fig. No.
			120V	230V	240V	
●	3B807150	BELT,MIDDLE CONVEYING	1	1	1	8
	3B807160	UPPER RACK,MIDDLE TRAY	2	2	2	7
	3B807170	UPPER SHAFT,CURSOR	1	1	1	7
	3B807180	LOWER RACK,MIDDLE TRAY	2	2	2	8
	3B807190	SHAFT A,TENSION	1	1	1	8
	3B807200	UPPER SHAFT A,MIDDLE BELT	1	1	1	8
	3B807210	LOWER SHAFT,CURSOR	2	2	2	8
	3B807220	UPPER SHAFT B,MIDDLE BELT	1	1	1	8
	3B807230	COLLAR,MIDDLE BELT	6	6	6	8
	3B807240	LOWER GUIDE,MIDDLE TRAY	1	1	1	8
	3B807250	SHAFT B,TENSION	1	1	1	8
●	3B807260	PULLEY,MIDDLE TRAY	2	2	2	8
	3B807270	LOWER SHAFT,MIDDLE BELT	1	1	1	8
	3B807280	SUPPORT PLATE,MIDDLE TRAY AUXILIAR	2	2	2	8
	3B807290	SHAFT,MIDDLE TRAY AUXILIARY PLATE	2	2	2	8
	3B807300	LEVER,MIDDLE TRAY AUXILIARY PLATE	2	2	2	8
	3B807310	UPPER MOUNT,RAIL MIDDLE TRAY	1	1	1	7
	3B807320	LOWER MOUNT,RAIL MIDDLE TRAY	1	1	1	7
	3B807330	FRONT FRAME,MIDDLE TRAY RELEASE	2	2	2	9
	3B807340	REAR FRAME,MIDDLE TRAY RELEASE	2	2	2	9
	3B807351	UPPER MOUNT,STAPLER	2	2	2	9
	3B807360	GUIDE,MIDDLE TRAY RELEASE	2	2	2	9
●	3B807370	MOVING PLATE,MIDDLE TRAY	1	1	1	8
●	3B807380	LOWER BELT,MIDDLE TRAY	2	2	2	8
	3B807391	MOUNT,FEED PULLEY	2	2	2	9
	3B807400	WORK PLATE,FEED PULLEY	2	2	2	9
●	3B807410	FRONT SUPPORT PLATE,FEED PULLEY	4	4	4	9
●	3B807420	REAR SUPPORT PLATE,FEED PULLEY	4	4	4	9
	3B807430	FRONT SUPPORT PLATE,CONVEYING PULL	1	1	1	9
	3B807440	REAR SUPPORT PLATE,CONVEYING PULLE	1	1	1	9
	3B807450	LOWER SHAFT,FEED PULLEY	2	2	2	9
	3B807460	UPPER SHAFT,FEED PULLEY	2	2	2	9
	3B807470	LEVER,FEED PULLEY	4	4	4	9
	3B807480	LEVER,CONVEYING PULLEY	1	1	1	9
●	3B807490	BELT,FEED PULLEY DRIVE	2	2	2	9
●	3B807500	BELT,CONVEYING PULLEY	2	2	2	9
	3B807510	RETAINER,PI	4	4	4	9
	3B807520	STAY,MIDDLE TRAY RELEASE	2	2	2	9
	3B807530	SUPPORT PLATE,MIDDLE TRAY RELEASE	2	2	2	7
	3B807540	FRONT FULCRUM PLATE,MIDDLE TRAY RE	1	1	1	7

• Parts with "●" indicates the Service parts.

SP	Part. No.	Description	Quantity			Fig. No.	SP	Part. No.	Description	Quantity			Fig. No.
			120V	230V	240V					120V	230V	240V	
	3B807550	REAR FULCRUM PLATE,MIDDLE TRAY REL	1	1	1	7	●	3B808070	LOWER OUTER FILM,MIDDLE TRAY	8	8	8	9
	3B807560	GUIDE,PAPER HOLDER	1	1	1	5	●	3B808080	FRONT FILM,GUIDE MIDDLE TRAY	1	1	1	8
	3B807570	SUPPORT PLATE,PAPER HOLDER	1	1	1	5	●	3B808090	REAR FILM,GUIDE MIDDLE TRAY	1	1	1	8
	3B807580	LEVER,PAPER HOLDER	1	1	1	5		3B808100	FILM,SUB CONVEYING GUIDE	2	2	2	5
	3B807590	SPRING,MIDDLE TRAY JOINT	2	2	2	9		3B808110	FILM,CONVEYING PULLEY LEVER	1	1	1	9
	3B807600	LOWER MOUNT B,RAIL MIDDLE TRAY	1	1	1	7	●	3B808120	UPPER INNER FILM,MIDDLE TRAY HOLDE	2	2	2	7
●	3B807610	BELT,MIDDLE TRAY MOTOR DRIVE	2	2	2	8		3B808130	SPRING,PAPER HOLDER GUIDE	1	1	1	5
●	3B807620	PULLEY 27,CONVEYING DRIVE	2	2	2	9	●	3B808140	STATIC ELIMINATOR,PAPER HOLDER GUI	1	1	1	5
	3B807630	SPRING,PAPER HOLDER	1	1	1	5	●	3B808150	STATIC ELIMINATOR,MIDDLE TRAY FEED	1	1	1	4
●	3B807640	PAD,CURSOR	9	9	9	5,7,8		3B816010	FRONT FRAME,SUB CONVEYING	2	2	2	3
	3B807650	HANDLE,MIDDLE TRAY	1	1	1	7		3B816020	REAR FRAME,SUB CONVEYING	2	2	2	3
	3B807660	HANDLE,MIDDLE TRAY RELEASE	2	2	2	9		3B816030	RIGHT GUIDE,SUB CONVEYING	2	2	2	3
	3B807670	HOOK,MIDDLE TRAY RELEASE	4	4	4	9		3B816040	SHAFT,CONVEYING PULLEY	4	4	4	3
	3B807680	SHAFT,MIDDLE TRAY RELEASE	2	2	2	9		3B816050	GUIDE,FEED IN	1	1	1	4
	3B807690	STOPPER,MIDDLE TRAY HOOK	4	4	4	9		3B816060	TOP SHAFT,COVER	2	2	2	3
	3B807700	FRONT SPRING,MIDDLE TRAY HOOK	2	2	2	9		3B816070	SHAFT,FEED IN RAIL	1	1	1	4
	3B807710	REAR SPRING,MIDDLE TRAY HOOK	2	2	2	9		3B816080	LOWER LEFT GUIDE,SUB CONVEYING	1	1	1	5
	3B807720	LOWER TENSION PLATE,BELT	1	1	1	8		3B816090	PLATE SPRING B,CONVEYING PULLEY	4	4	4	4
	3B807760	REINFORCEMENT,TRAILING EDGE HOLDER	1	1	1	5		3B816100	LOWER GUIDE 750,FEED IN	1	1	1	4
	3B807770	FRONT GUIDE,STANDARD	1	1	1	8		3B816110	LOWER RIGHT GUIDE,SUB CONVEYING	1	1	1	4
	3B807780	REAR GUIDE,STANDARD	1	1	1	8		3B816120	GUIDE A,DRUM	6	6	6	3
	3B807790	UPPER GUIDE,STANDARD	4	4	4	9		3B816130	GUIDE B,DRUM	8	8	8	3
	3B807800	SPRING,STANDARD LIFT	2	2	2	8		3B816140	CLAW,FEED SHIFT MAIN	3	3	3	4
●	3B807820	SHEET,LEADING FEED ROLLER	16	16	16	9	●	3B816150	ROLLER,MIDDLE TRAY FEED IN	1	1	1	4
	3B807840	PIN,POSITIONING	1	1	1	8	●	3B816170	ROLLER,CONVEYING	4	4	4	4
	3B807850	PIN,HOOK	3	3	3	8,9	●	3B816180	LOWER ROLLER,FEED IN	1	1	1	4
	3B807860	PIN,FULCRUM	2	2	2	9		3B816190	CAM,DECURLER	4	4	4	4
	3B807870	LOWER ADJUSTING PLATE,SIDE REGISTR	1	1	1	6	●	3B816210	ROLLER,SUB CONVEYING	1	1	1	4
	3B807880	PIN,PAPER HOLDER	2	2	2	5	●	3B816220	LOWER ROLLER,PRESS	2	2	2	4
	3B807890	VIBRATION INSULATOR,PAPER HOLDER	1	1	1	4		3B816230	UPPER ROLLER,PRESS	1	1	1	4
	3B807920	REINFORCEMENT,MIDDLE TRAY RELEASE	2	2	2	9		3B816240	LEFT CLAW,FEED SHIFT	1	1	1	4
	3B807930	MOUNT,MIDDLE TRAY FEED IN SW	1	1	1	5		3B816250	ROLLER,PRESS DRIVE	1	1	1	4
	3B807940	GUIDE,MIDDLE TRAY INSERTION	1	1	1	2		3B816280	LEVER,FEED SHIFT	2	2	2	4
	3B807950	SPRING,FEED PULLEY	4	4	4	9		3B816290	SHAFT,FEED SHIFT MAIN	1	1	1	4
	3B807960	REINFORCEMENT,FEED PULLEY	4	4	4	9		3B816300	SHAFT,FEED IN FULCRUM	1	1	1	4
●	3B808010	FRONT UPPER OUTER FILM,MIDDLE TRAY	2	2	2	9		3B816320	SHAFT,RELEASE GUIDE	1	1	1	4
●	3B808020	REAR UPPER OUTER FILM,MIDDLE TRAY	2	2	2	9		3B816330	LEVER,DECURLER PRESSURE	2	2	2	11
●	3B808030	UPPER INNER FILM,MIDDLE TRAY	2	2	2	8		3B816340	FRONT FULCRUM PLATE,SUB CONVEYING	1	1	1	5
●	3B808040	FILM,STAPLER SMALL	1	1	1	6		3B816350	REAR FULCRUM PLATE,SUB CONVEYING G	1	1	1	5
●	3B808060	REAR FILM,STANDARD	1	1	1	8		3B816380	SHAFT,RELEASE FRAME	2	2	2	3

• Parts with "●" indicates the Service parts.

SP	Part. No.	Description	Quantity			Fig. No.
			120V	230V	240V	
	3B816390	UPPER GUIDE 850,FEED IN	1	1	1	4
	3B816400	LEVER,PRESSING PLATE	2	2	2	11
	3B816410	HANDLE,DECURLER	1	1	1	11
	3B816420	SHAFT,DECURLER PRESSURE	2	2	2	4
	3B816440	GUIDE,CONVEYING	1	1	1	4
●	3B816510	ROLLER,SUB EJECT	1	1	1	5
	3B816520	GUIDE,FEED SHIFT SUB EJECT	1	1	1	3
	3B816530	LEFT GUIDE,SUB EJECT	1	1	1	5
	3B816550	MOUNT,SUB EJECT GUIDE	1	1	1	5
●	3B816560	COLLAR TOP,SUB CONVEYING	8	8	8	3
	3B816570	PLATE SPRING,SUB EJECT	4	4	4	3
	3B816600	SHAFT,RELEASE HOOK	2	2	2	3
	3B816620	STAY,DAMPER	1	1	1	2
	3B816640	MOUNT BASE,PUNCH UNIT	2	2	2	4
	3B816660	FRONT RAIL,FEED IN	1	1	1	4
	3B816670	REAR RAIL,FEED IN	1	1	1	4
	3B816680	SHAFT,CONVEYING DRUM	2	2	2	3
	3B816690	CLAW B,FEED SHIFT MAIN	2	2	2	4
	3B816700	UPPER GUIDE,SUB CONVEYING	2	2	2	3
	3B816710	MOUNT,CONVEYING GUIDE	2	2	2	3
	3B816720	REINFORCEMENT,FEED IN GUIDE	2	2	2	4
	3B816730	HOLDER,FEED IN GUIDE	4	4	4	3
	3B816740	FRONT FULCRUM PLATE,FEED IN	1	1	1	4
	3B816760	COUPLER,FEED IN GUIDE	1	1	1	4
	3B816770	STAY,RELEASE FRAME	2	2	2	3
	3B816781	MOUNT,FEED IN UNIT	1	1	1	4
	3B816790	REINFORCEMENT,STOPPER	1	1	1	2
	3B816810	MOUNT,SOLENOID	2	2	2	4
	3B816820	LOWER GUIDE,FEED IN RELEASE	1	1	1	4
	3B816830	LOWER REINFORCEMENT,FEED IN RELEAS	1	1	1	4
	3B816840	LOWER REINFORCEMENT,HOOK FEED IN R	1	1	1	4
	3B816850	LOWER SHAFT,FEED IN RELEASE	1	1	1	4
	3B816860	LOWER SHAFT,HOOK FEED IN RELEASE	1	1	1	4
	3B816870	LOWER SPRING,FEED IN RELEASE	1	1	1	4
	3B816880	LOWER SPRING,HOOK FEED IN RELEASE	1	1	1	4
	3B816890	LOWER PROJECTION,FEED IN RELEASE	1	1	1	4
	3B816900	GUIDE,FEED IN AUXILIARY	1	1	1	13
	3B816910	FILM,SUB EJECT	4	4	4	3
●	3B816920	STATIC ELIMINATOR,SUB EJECT	3	3	3	3,5
	3B816930	PLATE SPRING,EJECT GROUND	1	1	1	3

SP	Part. No.	Description	Quantity			Fig. No.
			120V	230V	240V	
	3B816940	RETAINER,SHAFT	4	4	4	3
	3B816950	MOUNT,TORQUE LIMITER	1	1	1	2
	3B816960	SPRING,HOOK RELEASE	2	2	2	3
	3B816970	TOP TORQUE LIMITER,RELEASE	1	1	1	2
	3B816980	SPONGE,FEED IN	1	1	1	4
	3B816990	SPRING,FEED SHIFT MAIN	1	1	1	4
	3B820010	FRONT SUPPORT PLATE,TRAY	1	1	1	10
	3B820021	REAR SUPPORT PLATE,TRAY	1	1	1	10
	3B820030	INNER SUPPORT PLATE,TRAY	1	1	1	10
	3B820040	MOUNT BASE,PIN SUPPORT PLATE	2	2	2	10
	3B820050	DETECTION PLATE,MAIN TRAY	1	1	1	10
	3B820061	MOUNT,TRAY DRIVE	1	1	1	10
	3B820080	SHAFT,TRAY LIFT	1	1	1	10
	3B820090	SHAFT,LIFT WORM	1	1	1	10
	3B820100	SHAFT 18/50,LIFT	1	1	1	10
	3B820110	SHAFT 20/51,LIFT	1	1	1	10
●	3B820120	GEAR 26,LIFT	2	2	2	10
	3B820130	MOUNT,JUNCTION WIRING TRAY	1	1	1	10
	3B820140	SUPPORT PLATE,PIN	2	2	2	10
	3B820150	RETAINER,SHAFT LIFT	1	1	1	10
	3B820160	REINFORCEMENT,TRAY DRIVE	1	1	1	10
	3B820170	LOWER CUSHION,TRAY	2	2	2	10
●	3B820180	GEAR 50,TRAY DRIVE	1	1	1	10
●	3B820190	GEAR 18,TRAY DRIVE	1	1	1	10
	3B820200	SPRING,TRAY DRIVE	1	1	1	10
	3B820210	REINFORCEMENT,PIN SUPPORT PLATE	2	2	2	10
	3B821010	STAY,EJECT	1	1	1	5
	3B821021	UPPER GUIDE,EJECT	1	1	1	5
	3B821030	LOWER GUIDE,EJECT	1	1	1	5
●	3B821040	ROLLER,EJECT	1	1	1	5
	3B821050	LEVER,EJECT	1	1	1	5
	3B821060	UPPER FULCRUM PIN,EJECT GUIDE	2	2	2	5
	3B821080	SHAFT,EJECT PULLEY	4	4	4	5
	3B821090	MOUNT,EJECT SOLENOID	1	1	1	5
	3B821100	LEVER,PAPER HOLDER	1	1	1	5
	3B821110	SPRING,HOLDER MAIN EJECT	1	1	1	5
	3B821120	ARM,HOLDER MAIN EJECT	1	1	1	5
	3B821130	MOUNT,EJECT HOLDER SOLENOID	1	1	1	5
	3B821140	MOUNT,PAPER EJECT HOLDER PI	1	1	1	5
	3B821150	FILM,GUIDE CONVEYING	1	1	1	5

• Parts with "●" indicates the Service parts.

SP	Part. No.	Description	Quantity			Fig. No.	SP	Part. No.	Description	Quantity			Fig. No.
			120V	230V	240V					120V	230V	240V	
●	3B821160	HOLDER,MAIN EJECT	3	3	3	5		3B827060	JUNCTION WIRING,SADDLE UNIT DETECT	1	1	1	12
	3B821170	MOUNT,EJECT SWITCH	1	1	1	5	●	3B827070	SOLENOID,FEED IN GUIDE	1	1	1	4
	3B821180	PULLEY,EJECT	2	2	2	5	●	3B827080	MOTOR,MAIN TRAY	1	1	1	10
	3B821190	HOOK,EJECT LEVER	1	1	1	5	●	3B827090	SOLENOID A,FEED SHIFT	1	1	1	4
	3B821200	FILM,EJECT STAY	1	1	1	5		3B827500	WIRE,MAIN	1	1	1	12
	3B821220	SHIELD PLATE,EJECT STAY	2	2	2	5		3B827510	UPPER WIRE,MIDDLE TRAY	1	1	1	9
	3B821240	UPPER CUSHION,EJECT GUIDE	2	2	2	5		3B827520	LOWER WIRE,MIDDLE TRAY	1	1	1	6
	3B822010	MOUNT,DRIVE MOTOR	1	1	1	11		3B827530	FRONT WIRE	1	1	1	12
	3B822020	MOUNT,MIDDLE TRAY DRIVE	1	1	1	11		3B827540	WIRE,INTERFACE	1	1	1	12
	3B822030	SUPPORT PLATE,MIDDLE TRAY DRIVE	1	1	1	11		3B827550	JUNCTION WIRING,SADDLE UNIT	1	1	1	2
	3B822040	MOUNT,EJECT DRIVE	1	1	1	11		3B827560	JUNCTION WIRING,MAIN EJECT	1	1	1	5
	3B822050	MOUNT,CONVEYING DRIVE	1	1	1	11		3B827570	LOWER JUNCTION WIRING,BELT SENSOR	2	2	2	9
	3B822060	SUPPORT PLATE,CONVEYING DRIVE	1	1	1	11		3B827580	JUNCTION WIRING,CONVEYING SENSOR	1	1	1	4
	3B822070	SHAFT,CONVEYING DRIVE	1	1	1	11		3B827590	JUNCTION WIRING,MAIN TRAY	1	1	1	10
	3B822080	TENSION PLATE,LOOP DRIVE	1	1	1	11		3B827600	JUNCTION WIRING,FEED SHIFT SOLENOI	1	1	1	3
●	3B822090	GEAR Z40/P30,MIDDLE TRAY DRIVE	1	1	1	11		3B827610	JUNCTION WIRING,MIDDLE TRAY CONVEY	1	1	1	5
●	3B822100	GEAR Z21/P38,EJECT	1	1	1	11		3B827620	CONNECTOR,TRAY	1	1	1	12
●	3B822110	PULLEY 25,TRAY FEED IN	1	1	1	4		3B827630	WIRE,MIDDLE TRAY	1	1	1	12
●	3B822130	PULLEY 30,FEED IN	1	1	1	11		3B827660	GROUND WIRE,EJECT	1	1	1	5
●	3B822150	GEAR 34,MIDDLE DRIVE JOINT	2	2	2	9	●	3B868010	SPECIAL TOOL,STAPLER	1	1	1	13
●	3B822160	CLUTCH 40,CONVEYING	1	1	1	11	●	3B868020	CARTRIDGE,STAPLER	2	2	2	13
●	3B822170	PULLEY P36,CONVEYING DRIVE	1	1	1	11	●	3B904010	TOP LID,COVER	1	1	1	1
●	3B822180	GEAR Z31/P18,CONVEYING DRIVE	1	1	1	11	●	3B905040	LABEL,JAM REMOVAL	1	1	1	1
●	3B822190	CLUTCH 33,CONVEYING	1	1	1	11		3B907010	LOWER GUIDE,STAPLER	1	1	1	6
●	3B822210	GEAR 20,TORQUE LIMITER	2	2	2	11		3B907020	UPPER GUIDE,STAPLER	1	1	1	9
●	3B822220	PULLEY 31,TRAY FEED IN	1	1	1	4		3B927500	WIRE,MAIN	1	1	1	12
●	3B822230	TORQUE LIMITER,DRIVE	1	1	1	11		3B927510	UPPER WIRE,MIDDLE TRAY	1	1	1	9
	3B822240	JOINT 8,TORQUE LIMITER	1	1	1	11		3B927520	LOWER WIRE,MIDDLE TRAY	1	1	1	6
	3B822250	TENSION PLATE,EJECT DRIVE	1	1	1	11		3B927530	FRONT WIRE	1	1	1	12
	3B822260	FLANGE 36	1	1	1	4		3CN02230	SPRING,SWITCH BACK	4	4	4	3
●	3B822270	ONE-WAY CLUTCH 8	1	1	1	4		3C106040	LEVER,HOLDER MAIN EJECT	1	1	1	5
	3B826010	MOUNT,MAIN PCB	1	1	1	12		3C106050	SHAFT,HOLDER MAIN EJECT	1	1	1	5
	3B826020	MOUNT,INTERFACE CABLE	1	1	1	12		3C106070	SPRING,HOLDER MAIN EJECT RESET	1	1	1	5
	3B826030	MOUNT,TRAY WIRE	1	1	1	12		3C108290	SPRING,TURN SOLENOID	1	1	1	5
	3B826040	MOUNT,UNIT DETECTION PI	1	1	1	12	●	3C127010	SOLENOID,EJECT	1	1	1	5
	3B826050	COVER,WIRE GUIDE	1	1	1	12		33902130	SPRING,CASSETTE HOOK	2	2	2	7
●	3B827020	STAPLER	2	2	2	6		33906610	BEARING,FEED	1	1	1	4
●	3B827030	MOTOR,SIDE REGISTRATION	3	3	3	6		33906670	RIGHT HOOK,FEED RELEASE	6	6	6	3,4
●	3B827040	SENSOR 12,SEPARATION	2	2	2	2		33920500	RETAINING PIN,FIXING GUIDE	2	2	2	13
●	3B827050	SENSOR 22,SEPARATION	2	2	2	2	●	33922160	BELT,DRUM DRIVE	1	1	1	11

• Parts with "●" indicates the Service parts.

SP	Part. No.	Description	Quantity			Fig. No.
			120V	230V	240V	
	33927590	CORE 7-15X18	1	1	1	10
●	33973300	STOPPER 7,CARTRIDGE	15	15	15	2,3,7,8
●	34806480	STOPPER 6	15	15	15	4,5,11
	34916501	SPRING,BYPASS	4	4	4	3
●	35327400	SWITCH,FEED	12	12	12	2,5,6,12
●	35911520	PULLEY 16,ADF	4	4	4	9
●	36706410	BELT,FEED HANDLE	8	8	8	9
●	36706900	TORQUE LIMITER,PAPER FEED	2	2	2	4
●	36714110	GEAR,DEVELOPING SLEEVE	1	1	1	11
	36716830	SLIDER,IMAGE FORMATION	2	2	2	7
●	36722170	GEAR 53,CASSETTE DRIVE	2	2	2	3
	36802110	CASTER	2	2	2	2
●	36816380	TORQUE LIMITER,ROLLER FEED IN	1	1	1	11
	36827140	SWITCH A,INTERLOCK	1	1	1	12
●	36882040	SET STAPLE CARTRIDGE	1	1	1	13
	48529417	SPRING,CLEANING SOLENOID	6	6	6	9
●	48928800	PULLEY,TIMING BELT	2	2	2	8
●	49021100	BUSHING	4	4	4	10
●	60112341	GEAR 17 OPTICAL CLUTCH	1	1	1	5
	60804120	MAGNET CATCH	1	1	1	12
●	61522040	DRIVE GEAR, FIXING SECTION	2	2	2	3
	61718720	PIN,CLEANING	1	1	1	5
●	62221110	PULLEY,FEEDBACK	2	2	2	5
●	63213261	PAD, EJECT ORIGINAL HOLDER	6	6	6	5
	63213300	RETAINER,EJECT ORIGINAL HOLDER	6	6	6	5
●	63213320	CUSHION,ORIGINAL COLLECTION	12	12	12	2,5,7,9
●	63227020	SWITCH,FEED	4	4	4	4,6,
●	63416200	PULLEY 34,CONVEYING	1	1	1	10
●	63416300	TIMING BELT C,CONVEYING	1	1	1	11
●	63422220	BELT,DRIVE CAM A	1	1	1	10
	63526080	SPRING,SAFETY SWITCH LEVER	1	1	1	4
	63706270	SPRING,REGISTRATION	1	1	1	3
●	65016080	STOP RING E3	11	11	11	5,8,9
●	65722250	PULLEY 20,EJECT	2	2	2	8
●	66006360	PAPER SWITCH	3	3	3	5
●	66015220	BUSHING 6,SPACER	1	1	1	11
●	67322230	BUSHING 8	16	16	16	2,3,4,5,8, 10
●	68327321	SOLENOID,STOPPER	4	4	4	5,9
●	68721420	PULLEY,LEADING REGISTRATION	2	2	2	9

SP	Part. No.	Description	Quantity			Fig. No.
			120V	230V	240V	
	68814720	SPRING B,DOCTOR BLADE	8	8	8	3
	71802210	PIN,DRUM LIFT	1	1	1	11
	71907120	SPRING,DUPLEX STOPPER	2	2	2	4
●	73210450	BUSH, 6	26	26	26	3,4,5,9,11
	74318270	SPRING,TONER DISPOSAL	2	2	2	11
●	74322350	PULLEY,DRIVE TENSION	3	3	3	11
	74327180	PIN,CONNECTOR	9	9	9	2,5,12
●	74718390	OVERFLOW SENSOR	2	2	2	9
●	74808080	BEARING,686ZZNR	8	8	8	4,10
	75402210	CUSHION STAY	2	2	2	1
	75607370	LEADING EDGE ARM SPRING	1	1	1	11
	75714210	COLLAR DEVELOPING UNIT	4	4	4	9
●	76202270	LEFT BUSHING FULCRUM SHAFT	3	3	3	4
●	76514050	PULLEY 20 DRIVE	10	10	10	9
	77706670	PIN,FEED FULCRUM	3	3	3	2
●	78722151	PULLEY 20	2	2	2	6
	78918290	FLANGE PULLEY 27	1	1	1	10
	C1054070	DOMED CAP NUT M4(CLASS 2)	2	2	2	13
	M0207000	BINDING BAND,KB-100-1	2	2	2	3,10
	M1203220	OPEN BUSHING,OCB-625	1	1	1	12
	M1203240	OPEN BUSHING,OCB-500	6	6	6	5,6,9,12
	M1203510	OPEN BUSHING,OCB-1000	1	1	1	7
	M1203550	STRAIN RELEAF BUSHING,SR-7W-2	1	1	1	12
	M2104200	EDGING EDS-1	2	2	2	4,12
	M2104250	EDGING,EDS-17L(KITAGAWA)	1	1	1	2
	M2104260	EDGING,EDS-0607U(KITAGAWA)	5	5	5	6,9
	M2104350	EDGING,EDS-0607M(KITAGAWA)	4	4	4	5,12
	M2105740	MINIATURE CLAMP,UAMS-05S-2	19	19	19	3,4,5,6,9, 12
	M2107120	BINDING BAND SG-130	32	32	32	3,5,6,7,9, 12
	M2109180	WIRE SADDLE,LWS-1S	2	2	2	12
	M2109210	LOCKING WIRE SADDLE,LWS-8S-2.5W	8	8	8	12
	M2109230	WIRE SADDLE,LWS-3S(KITAGAWA)	2	2	2	9
	M2109340	WIRE SADDLE,YMC-05-0(KITAGAWA)	6	6	6	5,10,11,12
	M2109350	WIRE SADDLE,YMC-15-0(KITAGAWA)	3	3	3	10,11

• Parts with "●" indicates the Service parts.

CLASSIFICATION OF THE SCREWS IN ILLUSTRATION

<u>REF.</u>	<u>ITEM #</u>	<u>DESCRIPTION</u>	<u>REF.</u>	<u>ITEM #</u>	<u>DESCRIPTION</u>
AWJ	B0325100	ROUND HEAD SCREW WITH SW.W M5X10 (BLACK)	HAL	B4063080	TRIPLE TAPPING SCREW M3X08
BAA	B1003040	BINDING SCREW,CVM3X4	HBA	B4303050	TRIPLE SCREW M3X5 (BLACK)
BBB	B1303050	BINDING SCREW BVM3X5 (BLACK)	HBC	B4304060	TRIPLE SCREW M4X6 (BLACK)
BBC	B1303100	BINDING SCREW BVM3X10 (BLACK)	HBE	B4304100	TRIPLE SCREW M4X10 (BLACK)
BBE	B1304060	BINDING SCREW BVM4X6 (BLACK)	HBH	B4303060	TRIPLE SCREW M3X6 (BLACK)
BBF	B1304080	BINDING SCREW BVM4X8 (BLACK)	HBI	B4303080	TRIPLE SCREW M3X8(BLACK)
BBG	B1304100	BINDING SCREW BVM4X10 (BLACK)	HBK	B4364080	TRIPLE SCREW (BLACK) M4X8,B-TYP.
BBK	B1303060	BINDING SCREW BVM3X6 (BLACK)	HBO	B4304080	TRIPLE SCREW M4X8(BLACK)
BBP	B1303120	BINDING SCREW BVM3X12 (BLACK)	HBQ	B4303120	TRIPLE SCREW M3X12(BLACK)
BBR	B1303080	BINDING SCREW BVM3X8 (BLACK)	HCA	B4104060	TRIPLE SCREW M4X6(CHROMIUM)
BBU	B1303140	BINDING SCREW BVM3X14 (BLACK)	HCD	B4103080	TRIPLE SCREW M3X08(CHROMIUM)
BCE	B1104060	BINDING SCREW VM4X6 (CR)	HCF	B4104080	TRIPLE SCREW M4X08(CHROMIUM)
BCK	B1103050	BINDING SCREW CV3X5	KAK	E0020080	SPRING PIN 2X8
BHO	B3313100	BINDING TAP-TITE P BRONZE SCREW M3X10	KAL	E0020100	SPRING PIN 2X10
BID	B1094080	CROSS-RECESSED HEAD TAPPING P REW M4X08	KAM	E0020120	SPRING PIN 2X12
DJB	B5003040	HEX. SOCKET HEAD SCREW HHM3X4	KAN	E0020140	SPRING PIN 2X14
DJE	B5004040	HEX. SOCKET HEAD SCREW HHM4X4	KAO	E0020160	SPRING PIN 2X16
DJU	B5394040	W-POINT SET SCREW M4X4	KAX	E0030140	SPRING PIN 3X14
DJV	B5393040	W-POINT SET SCREW M3X04	KAY	E0030180	SPRING PIN 3X18
E04	D1000400	STOP RING (E-4)	KBC	E0130240	SPRING PIN 3X24(SUS)
E05	D1000500	STOP RING (E-5)	KBD	E0130280	SPRING PIN 3X28(SUS)
E06	D1000600	STOP RING (E-6)	KFC	E5120200	SPRING PIN H7A 2X20 SUS
E07	D1000700	STOP RING (E-7)	KFE	E5125200	PARALLEL PIN H7A 2.5X20 SUS
E09	D1000900	STOP RING (E-9)	KKK	E0025120	SPRING PIN 2.5X12
EAC	B3053100	TAPPING SCREW M3X10(A TYP)	NAK	C1014000	NUT NSM4
EDB	B9094060	SPECIAL TRUSS HEAD SCREW M4X06	RAO	D2001500	STOP RING C-15
EGB	B3303100	BIND TAPPING SCREW M3X10(B TYPE)	WBB	C2304080	PLAIN WASHER BPWM4-8 (BLACK)

KYOCERA MITA EUROPE B.V.

Hoeksteen 40, 2132 MS Hoofddorp,
The Netherlands
Phone: (020) 6540000
Home page: <http://www.kyoceramita-europe.com>
Email: info@kyoceramita-europe.com

KYOCERA MITA NEDERLAND B.V.

Hoeksteen 40, 2132 MS Hoofddorp,
The Netherlands
Phone: (020) 5877200

KYOCERA MITA (UK) LIMITED

8 Beacontree Plaza
Gillette Way,
Reading RG2 0BS UK
Phone: (0118) 931 1500

KYOCERA MITA ITALIA S.P.A.

Via Verdi 89/91 20063 Cernusco sul Naviglio
(Milano) Italy
Phone: 02-92179 1

S.A. KYOCERA MITA BELGIUM N.V.

Hermesstraat 8A, 1930 Zaventem, Belgium
Phone: (02) 7209270

KYOCERA MITA FRANCE S.A.R.L.

Parc les Algorithmes
SAINT AUBIN
91194 GIF-SUR-YVETTE
France
Phone: (01) 69852600

KYOCERA MITA ESPAÑA S.A.

Edificio Mita, Avda. De Manacor Nº2,
Urb. Parque Rozas, Apartado de Correos 76,
28230 Las Rozas, Madrid, Spain
Phone: (91) 631-8392

KYOCERA MITA FINLAND OY

Kirvesmiehenkatu 4, 00810 Helsinki,
Finland
Phone: (09) 478-05200

KYOCERA MITA (SCHWEIZ) AG

Holzliwisen Industriestrasse 28,
8604 Volketswil, Switzerland
Phone: (01) 908 4949

KYOCERA MITA DEUTSCHLAND GMBH

Mollsfeld 12 40670 Meerbusch,
(Osterath) Germany
Phone: 02159-918120

KYOCERA MITA GMBH AUSTRIA

Eduard-Kittenberger-Gasse 95,
1230, Wien, Austria
Phone: (01) 86338-0

KYOCERA MITA SVENSKA AB

Vretenvagen 2
171 54 Solna, Sweden
Phone: (08) 546 550 00

KYOCERA MITA NORGE

Postboks 150 Oppsal, NO 0619 Oslo
Olaf Helsetsvei 6, NO 0694 Oslo
Phone: (22) 62 73 00

KYOCERA MITA DANMARK A/S

Industrivej 11, DK-4632 Bjæverskov,
Denmark
Phone: (56) 871100

KYOCERA MITA PORTUGAL LDA.

Rua de Campolide,
nº56-5º dto,
1070-026, Lisbon, Portugal
Phone: (21) 09-00

KYOCERA MITA SOUTH AFRICA (PTY) LTD.

UNIT 3, "Kyalami Crescent,"
Kyalami Business Park,
1685 Midrand, South Africa
Phone: (11) 466-3290

KYOCERA MITA AMERICA, INC.

Headquarters:
225 Sand Road, P.O. Box 40008,
Fairfield, New Jersey 07004-0008,
U.S.A.
Phone: (973) 808-8444

KYOCERA MITA AUSTRALIA PTY. LTD.

Level 3, 6-10 Talavera Road, North Ryde,
N.S.W. 2113 Australia
Phone: (02) 9888-9999

KYOCERA MITA NEW ZEALAND LTD.

1-3 Parkhead Place,
Albany, Auckland,
New Zealand
Phone: (09) 415-4517

KYOCERA MITA (THAILAND) CORP., LTD.

9/209 Ratchada-Prachachem Road,
Bang Sue, Bangkok 10800, Thailand
Phone: (02) 586-0320

KYOCERA MITA SINGAPORE PTE LTD.

121 Genting Lane, 3rd Level,
Singapore 349572
Phone: 67418733

KYOCERA MITA HONG KONG LIMITED

11/F., Mita Centre,
552-566, Castle Peak Road,
Tsuen Wan, New Territories,
Hong Kong
Phone: 24297422

KYOCERA MITA TAIWAN CORPORATION

7F-1~2, No.41, Lane 221, Gangchi Rd.
Neihu District, Taipei, Taiwan, 114. R.O.C.
Phone: (02) 87511560

KYOCERA MITA CORPORATION

2-28, 1-chome, Tamatsukuri, Chuo-ku
Osaka 540-8585, Japan
Phone: (06) 6764-3555

© 2002 KYOCERA MITA CORPORATION

 **KYOCERA** is a trademark of Kyocera Corporation

mita is a registered trademark of KYOCERA MITA CORPORATION

Printed in Holland